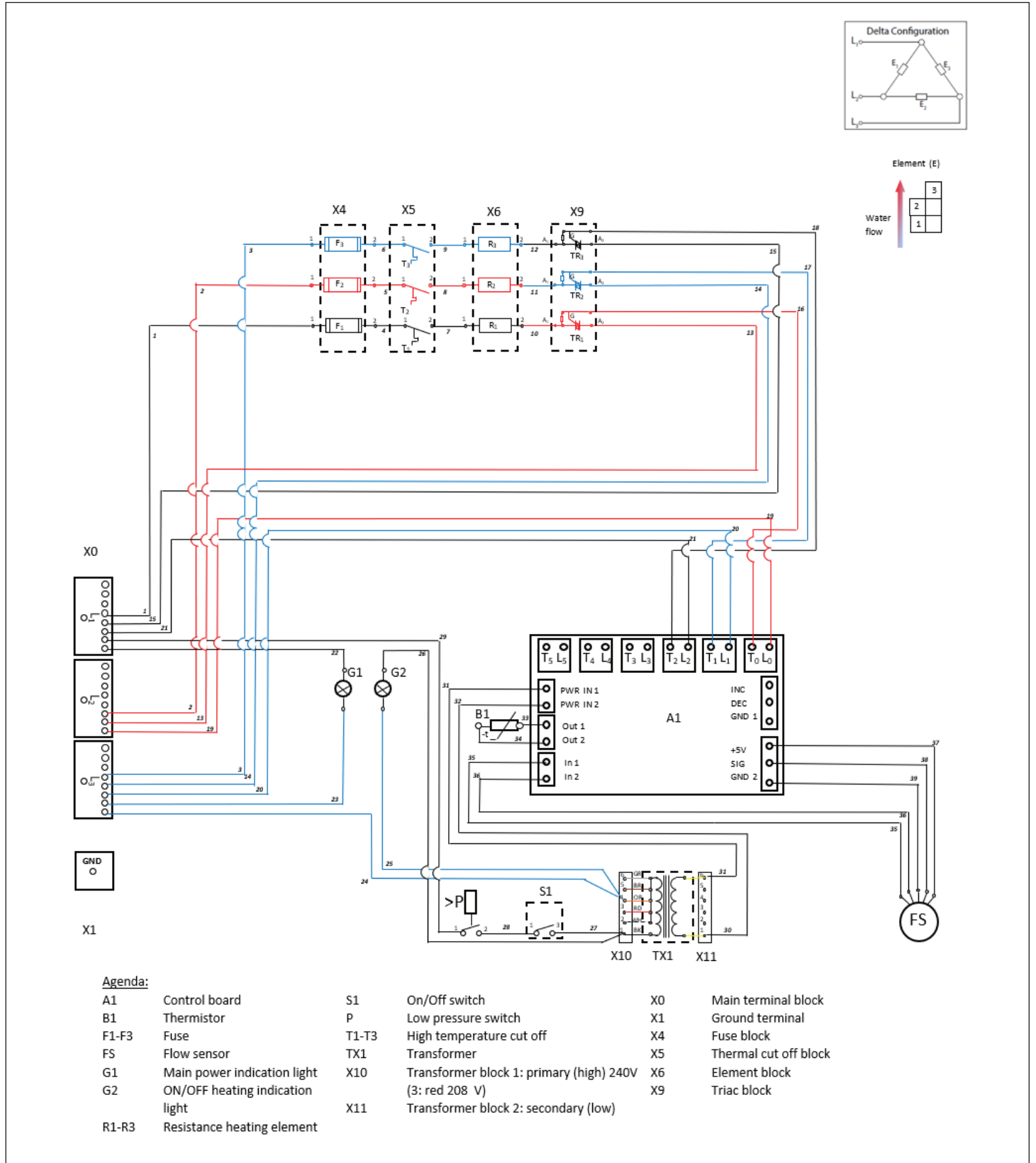


INSTALLATION TECHNICAL DATA

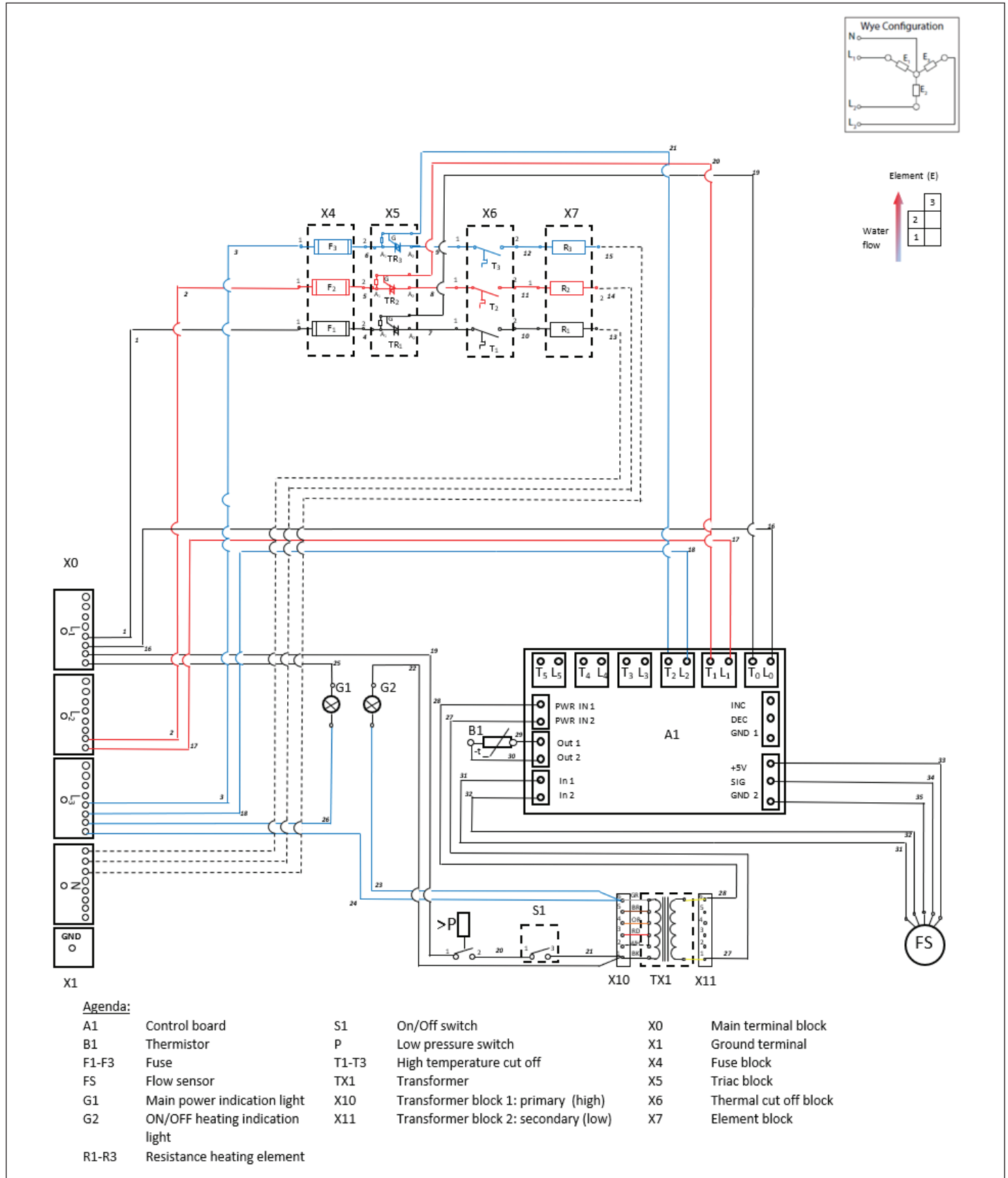
Wiring diagrams

CF Plus 12-18, 208-240 V Delta wiring diagram



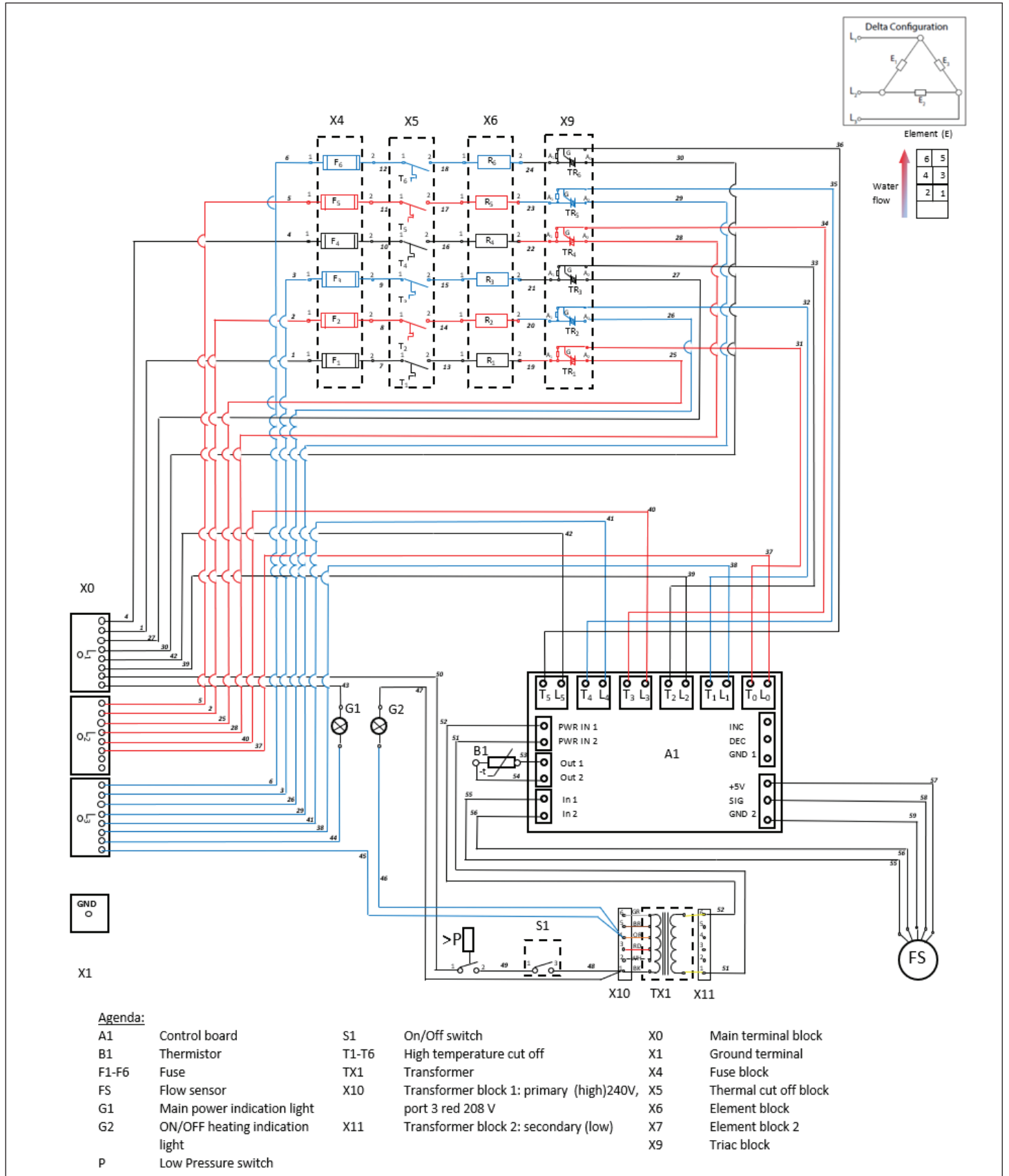
INSTALLATION TECHNICAL DATA

CF 12-18 Plus 480 V Wye wiring diagram



INSTALLATION TECHNICAL DATA

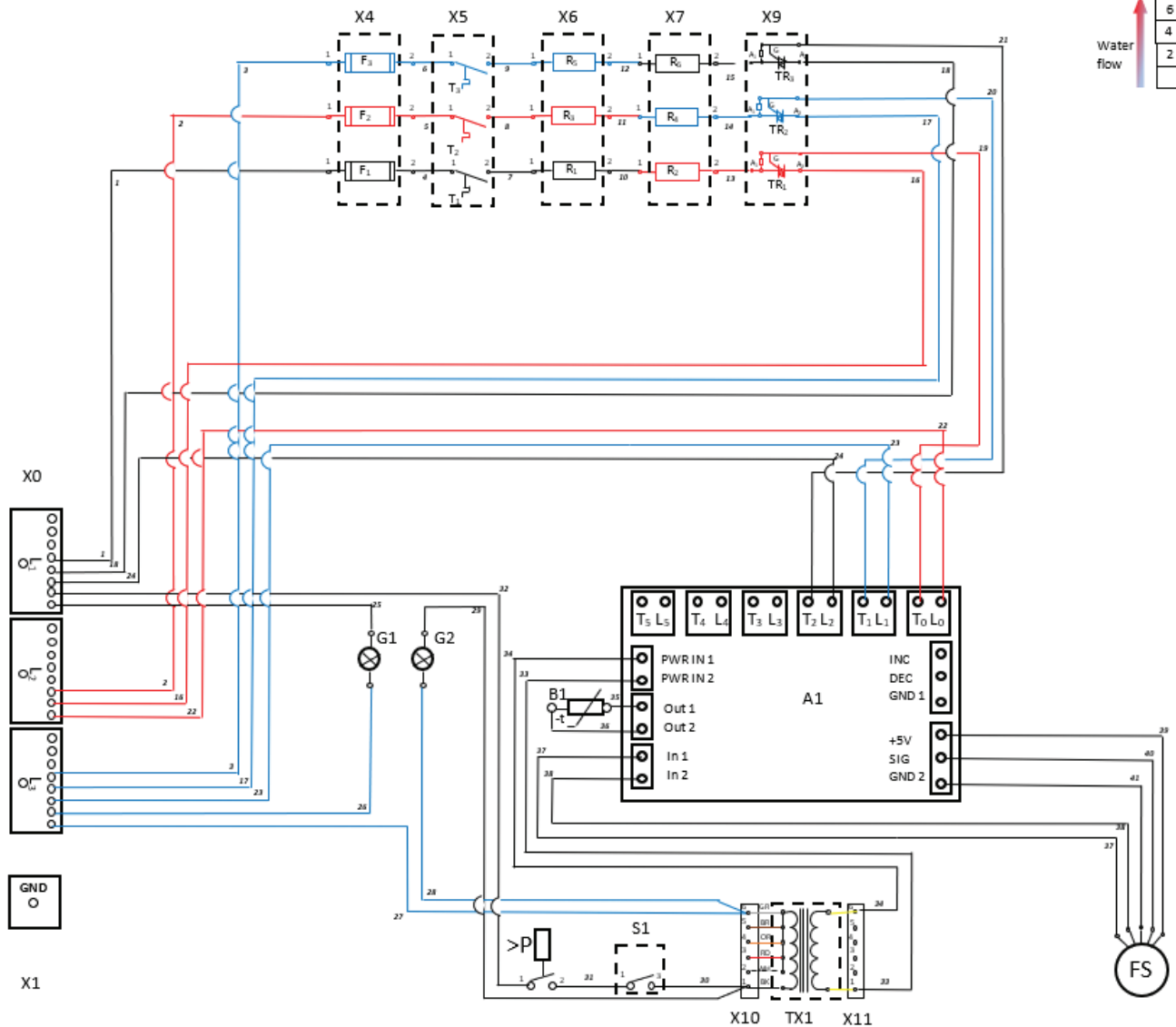
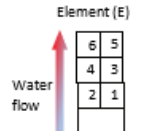
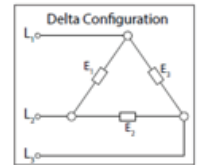
CF Plus 24-36, 208-240 V Delta wiring diagram



INSTALLATION TECHNICAL DATA

CF Plus 24-36, 480 V Delta wiring diagram

ENGLISH

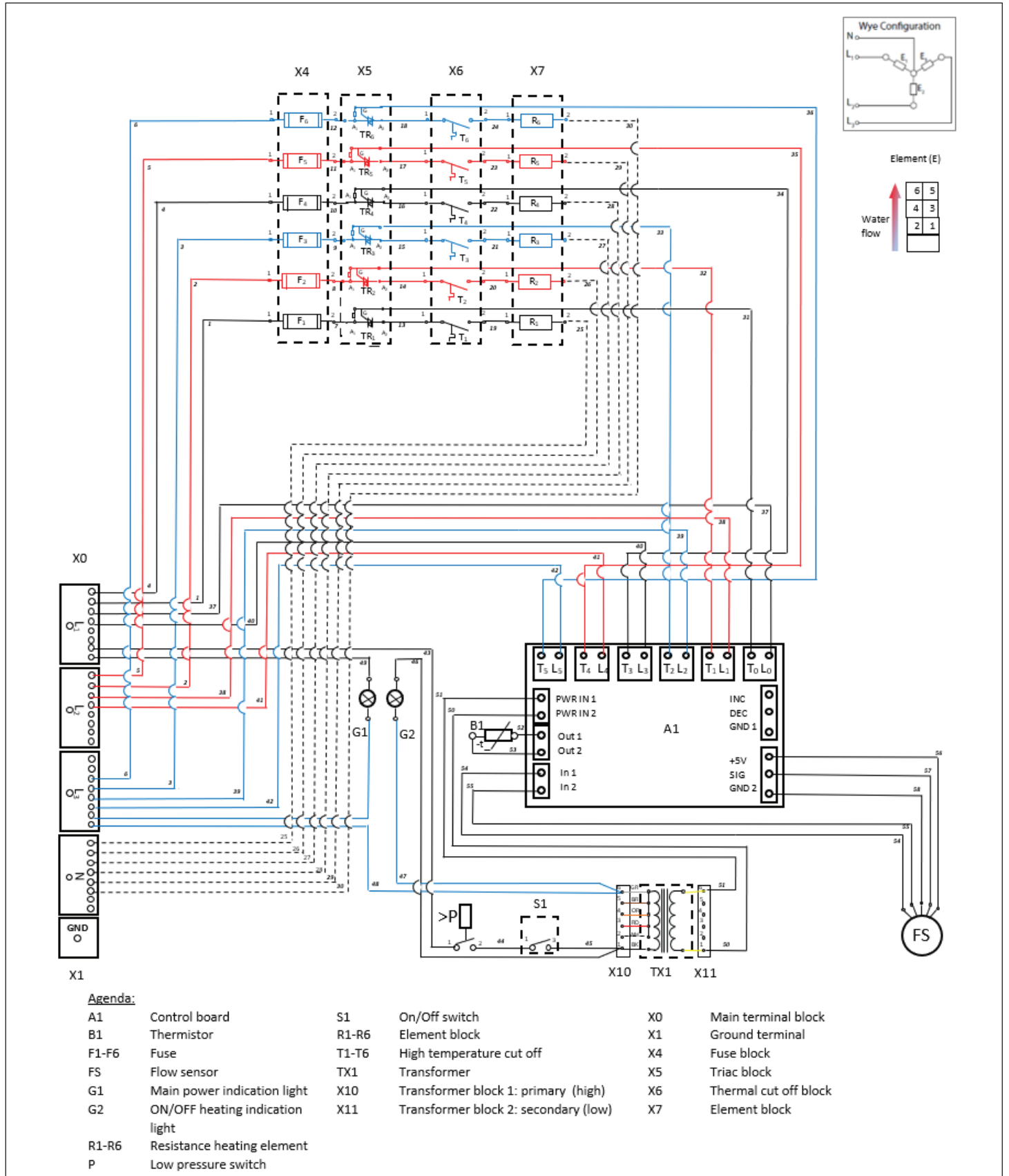


Agenda:

| | | | | | |
|-------|---------------------------------|-------|--------------------------------------|----|-----------------------|
| A1 | Control board | S1 | On/Off switch | X0 | Main terminal block |
| B1 | Thermistor | P | Low pressure switch | X1 | Ground terminal |
| F1-F3 | Fuse | T1-T3 | High temperature cut off | X4 | Fuse block |
| FS | Flow sensor | TX1 | Transformer | X5 | Thermal cut off block |
| G1 | Main power indication light | X10 | Transformer block 1: primary (high) | X6 | Element block 1 |
| G2 | ON/OFF heating indication light | X11 | Transformer block 2: secondary (low) | X7 | Element block 2 |
| R1-R6 | Resistance heating element | | | X9 | Triac |

INSTALLATION TECHNICAL DATA

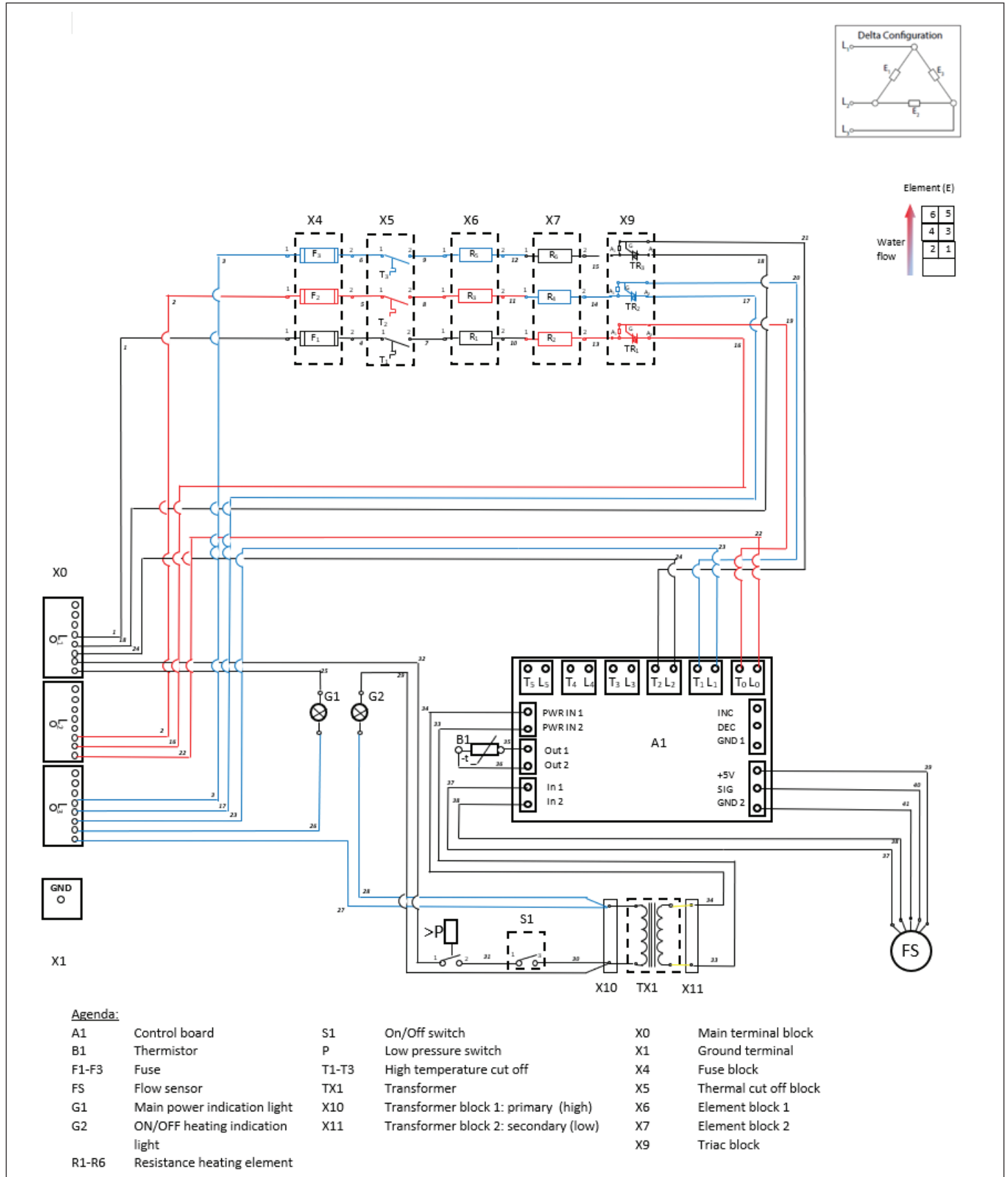
CF Plus 24-36, 480 V Wye wiring diagram



INSTALLATION TECHNICAL DATA

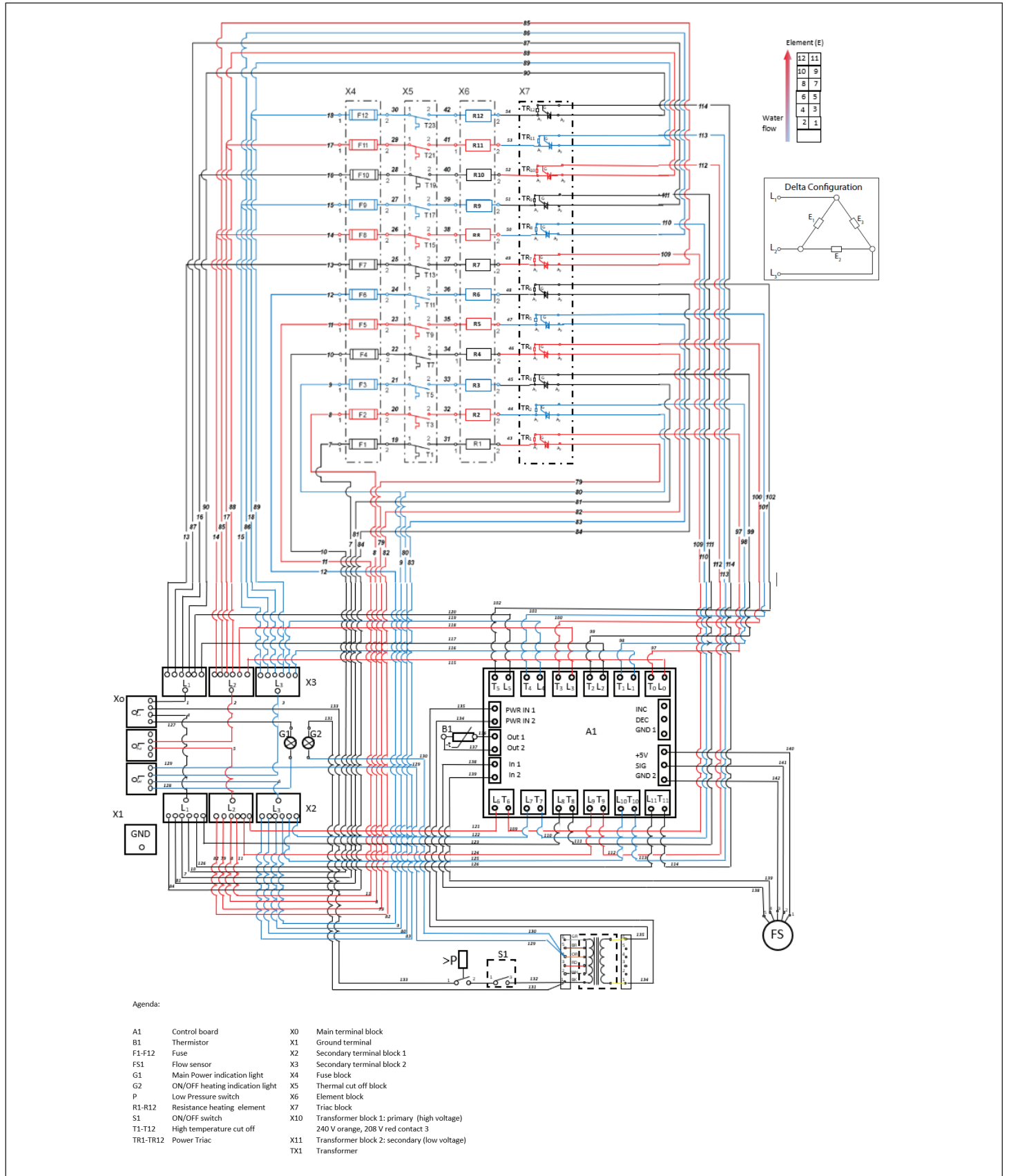
CF Plus 24-36, 575 V Delta wiring diagram

ENGLISH



INSTALLATION TECHNICAL DATA

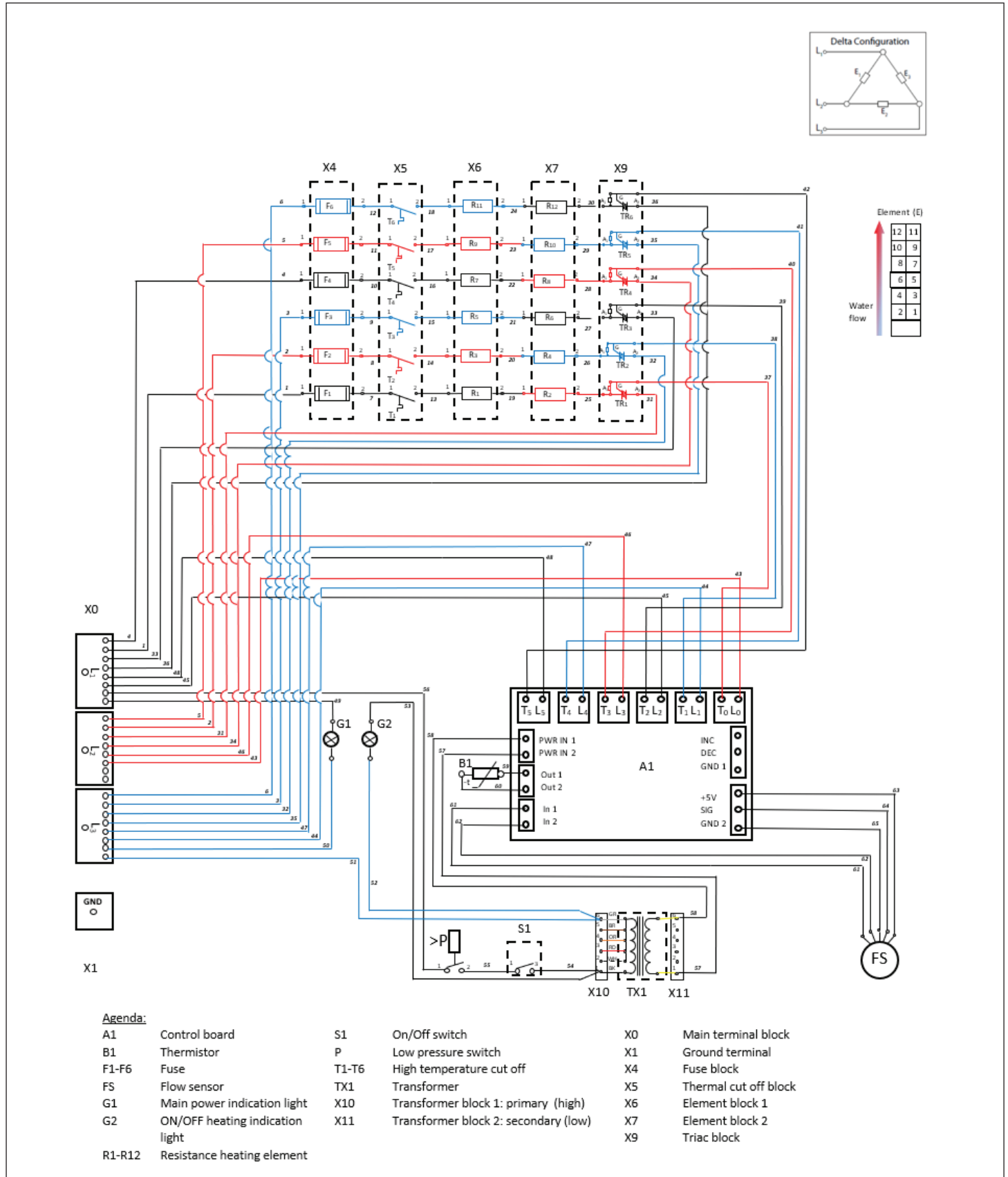
CF Plus 48-72, 208-240 V Delta wiring diagram



INSTALLATION TECHNICAL DATA

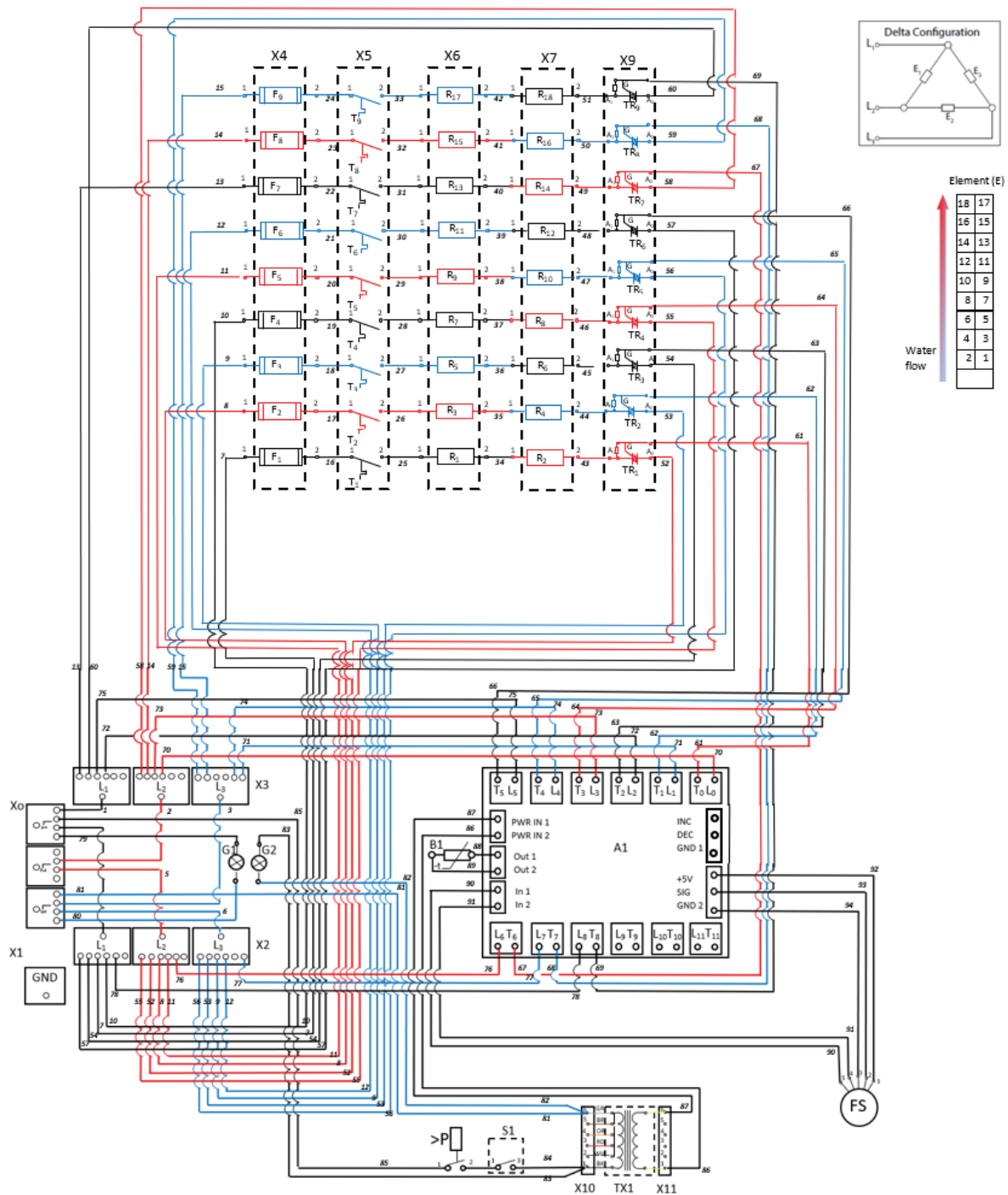
CF Plus 48-72, 480 V Delta wiring diagram

ENGLISH



INSTALLATION TECHNICAL DATA

CF Plus 81-108, 480-575 V Delta wiring diagram

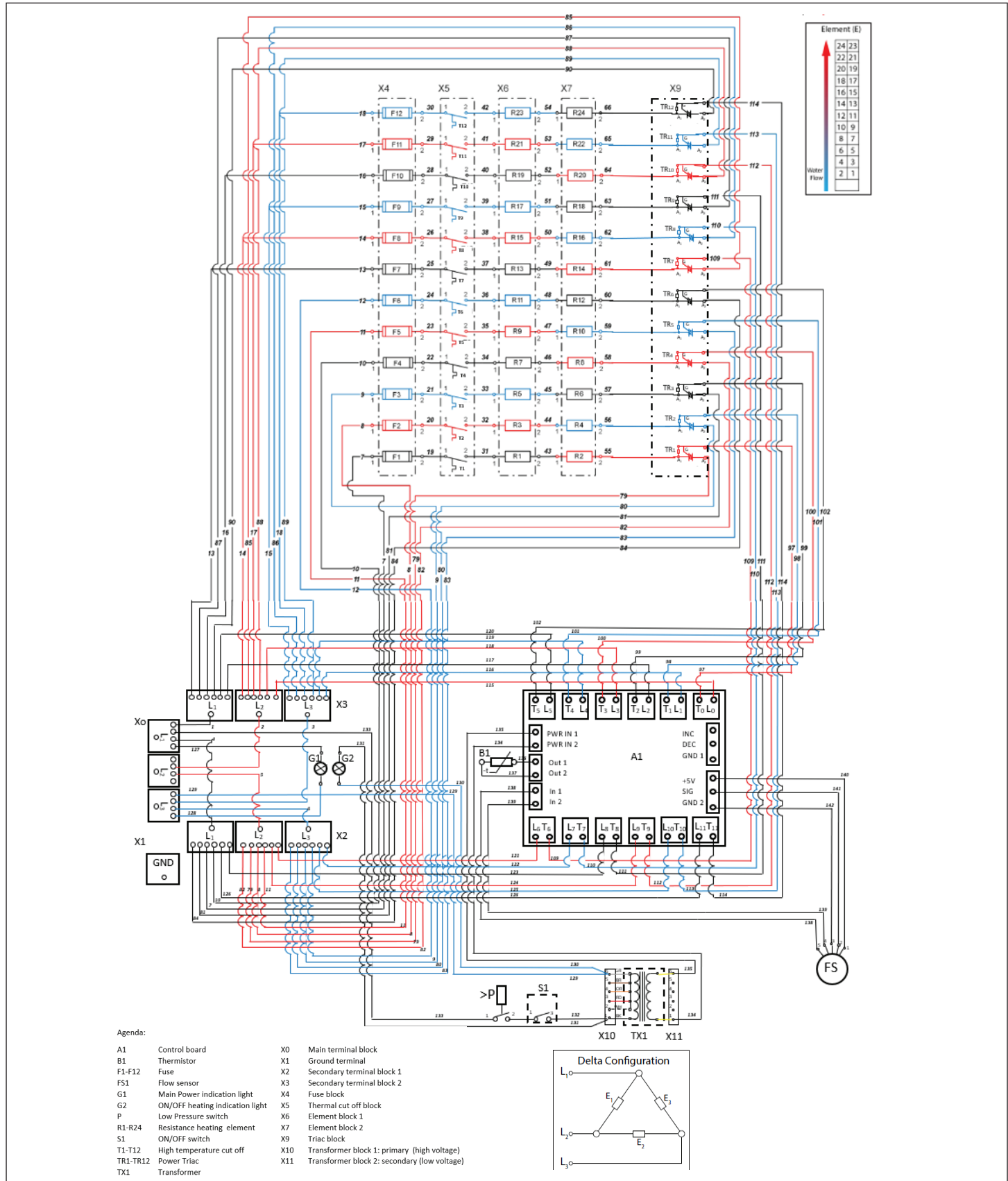


Agenda:

- | | | | | | |
|--------|---------------------------------|-------|--------------------------------------|----|----------------------------|
| A1 | Control board | S1 | On/Off switch | X0 | Main terminal block |
| B1 | Thermistor | T1-T9 | High temperature cut off | X1 | Ground terminal |
| F1-F9 | Fuse | TX1 | Transformer | X2 | Secondary Terminal block 1 |
| FS1 | Flow sensor | X10 | Transformer block 1: primary (high) | X3 | Secondary Terminal block |
| G1 | Main power indication light | X11 | Transformer block 2: secondary (low) | X4 | Fuse block |
| G2 | ON/OFF heating indication light | | | X5 | Thermal cut off block |
| P | Low Pressure switch | | | X6 | Element block 1 |
| R1-R18 | Resistance heating element | | | X7 | Element block 2 |
| | | | | X9 | Triac block |

INSTALLATION TECHNICAL DATA

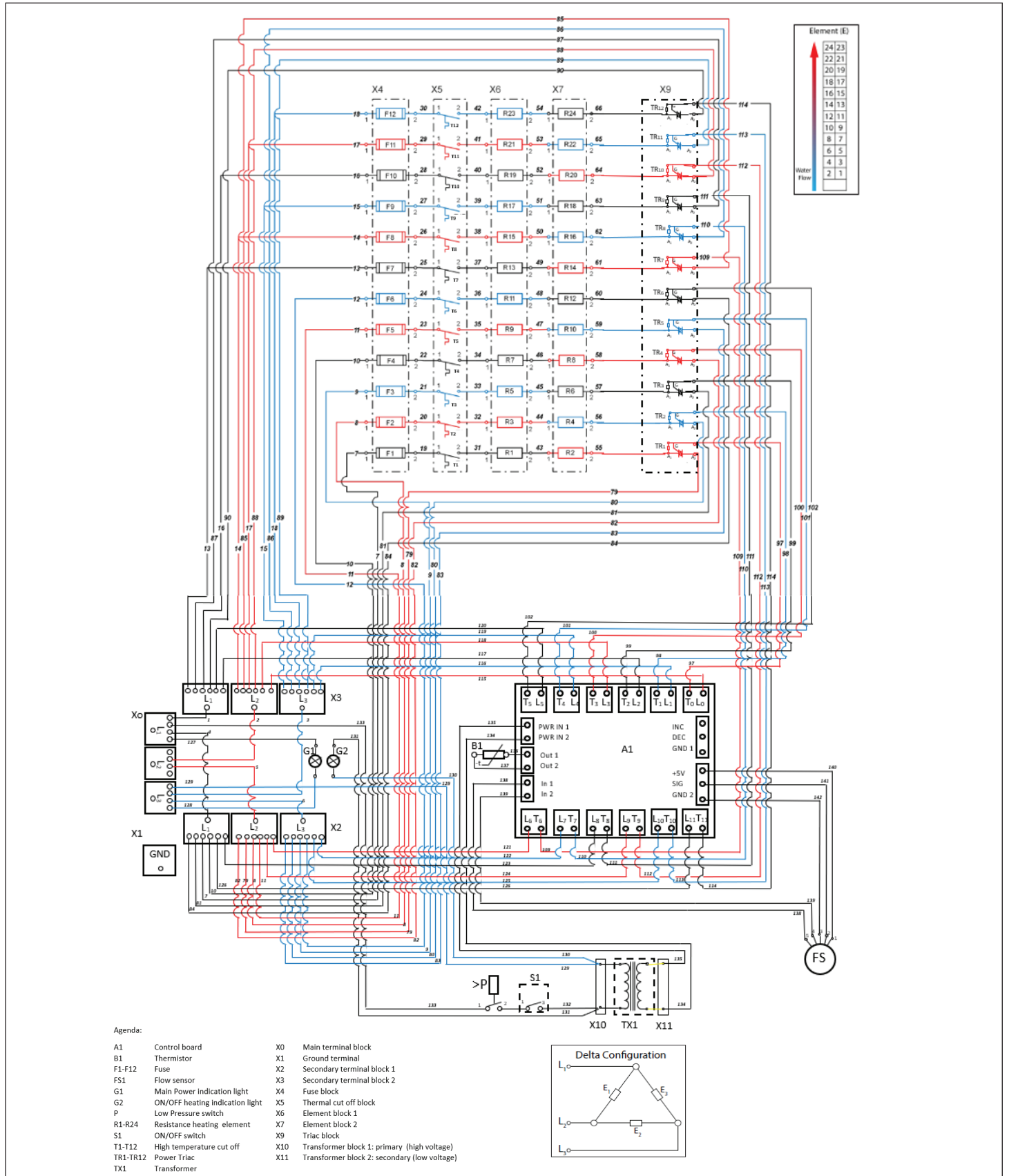
CF Plus 120-144, 480 V Delta wiring diagram



ENGLISH

INSTALLATION TECHNICAL DATA

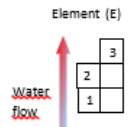
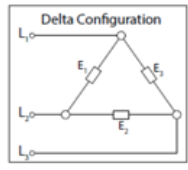
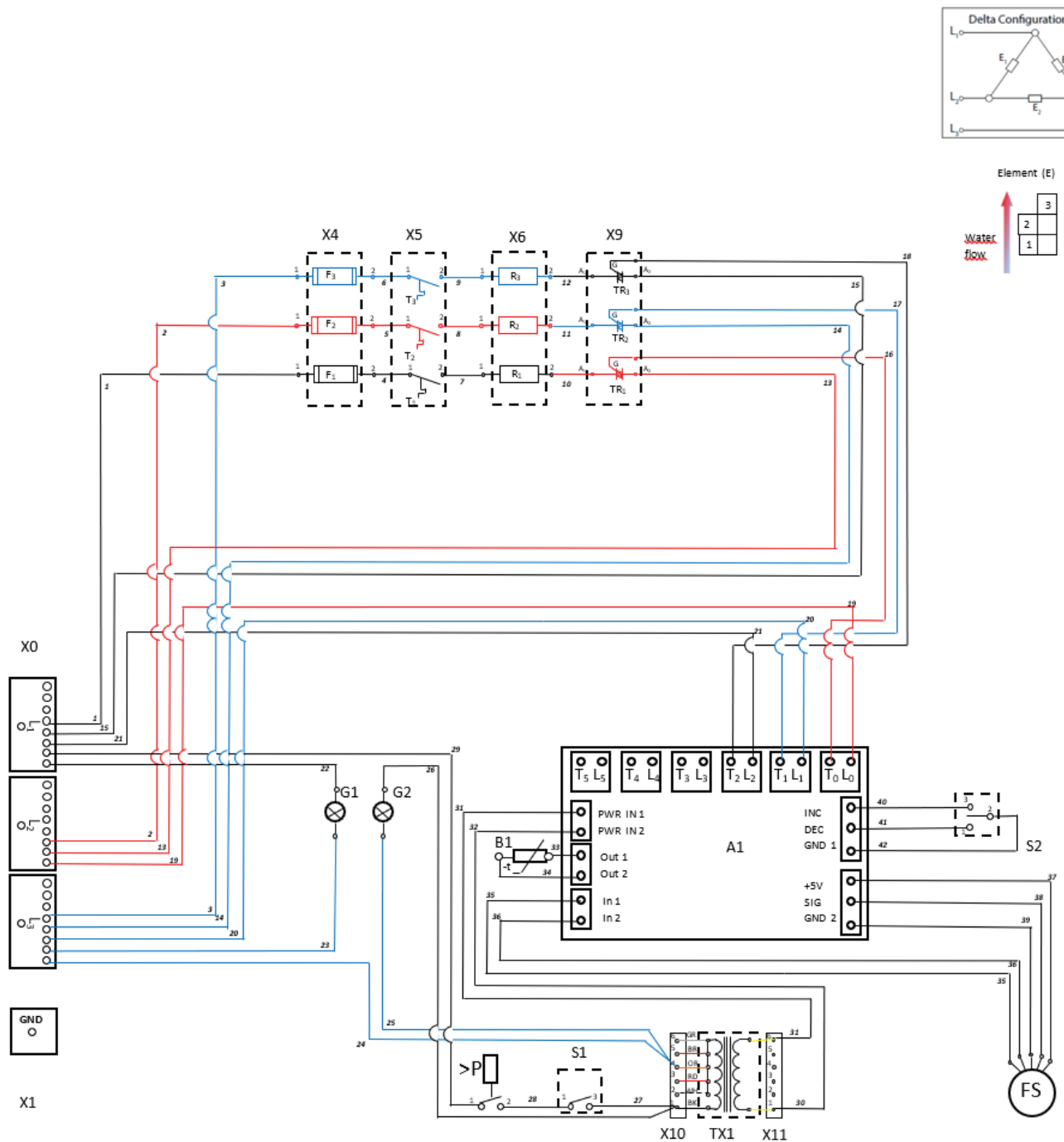
CF Plus 120-144, 575 V Delta wiring diagram



INSTALLATION TECHNICAL DATA

CE/CES/CERO Plus 12-15, 208-240 V Delta wiring diagram

ENGLISH

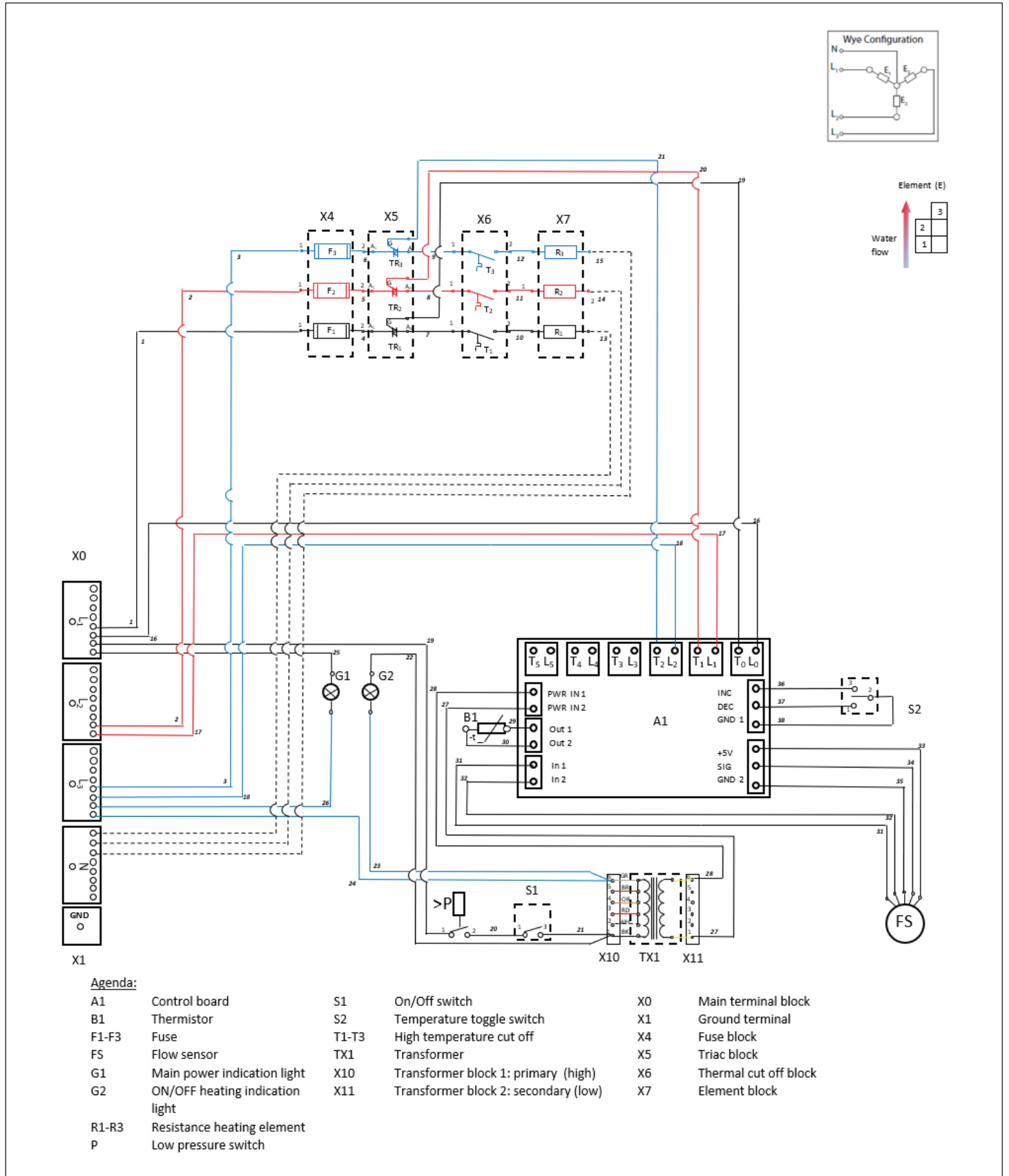


Agenda:

- | | | | | | |
|-------|---------------------------------|-------|---|----|-----------------------|
| A1 | Control board | S1 | On/Off switch | X0 | Main terminal block |
| B1 | Thermistor | S2 | Temperature toggle switch | X1 | Ground terminal |
| F1-F3 | Fuse | P | Low pressure switch | X4 | Fuse block |
| FS | Flow sensor | T1-T3 | High temperature cut off | X5 | Thermal cut off block |
| G1 | Main power indication light | TX1 | Transformer | X6 | Element block |
| G2 | ON/OFF heating indication light | X10 | Transformer block 1: primary (high) 240 V orange, 208 V red contact 3 | X9 | Triac block |
| R1-R3 | Resistance heating element | X11 | Transformer block 2: secondary (low) | | |

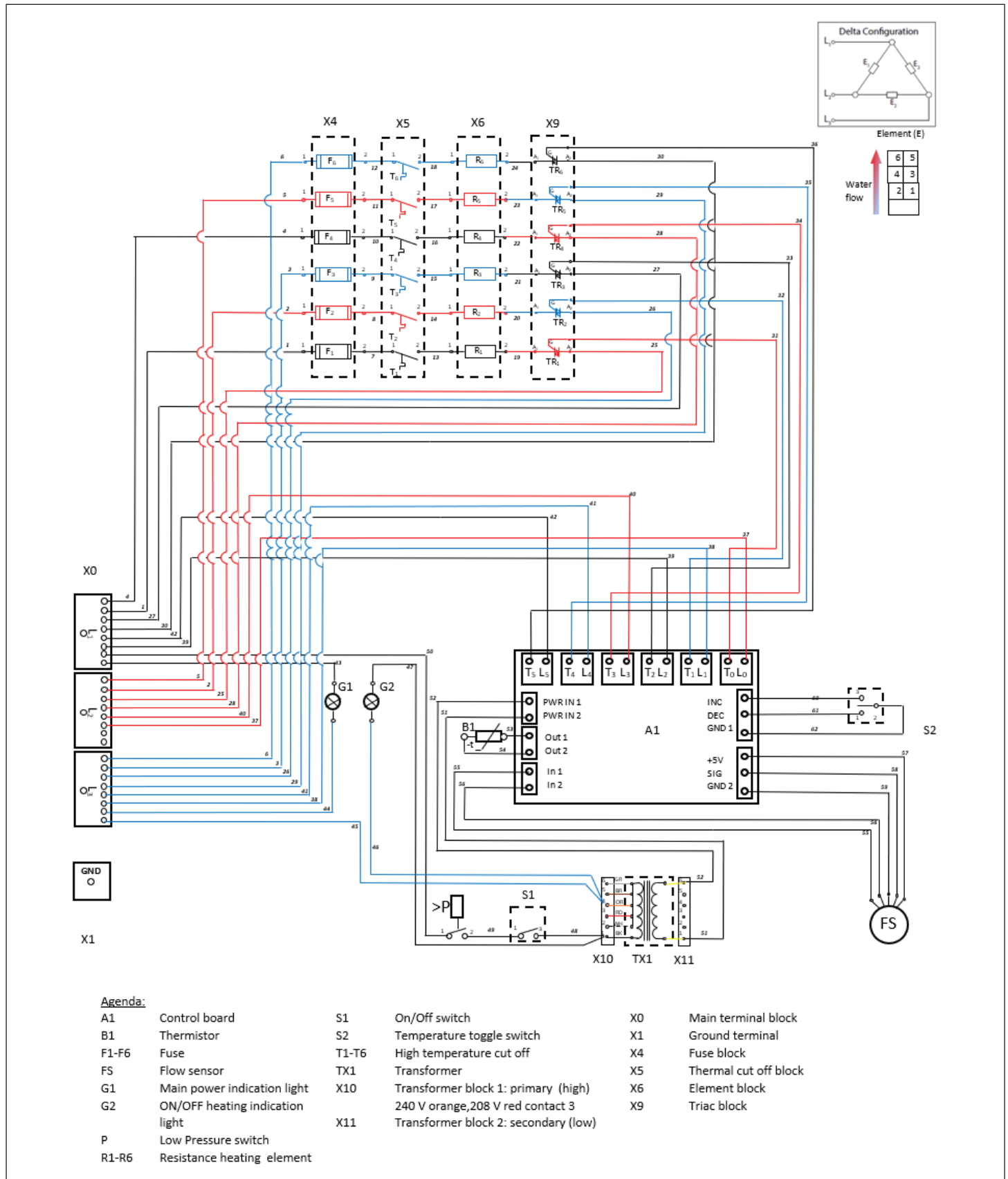
INSTALLATION TECHNICAL DATA

CE/CES/CERO Plus 12-15, 480 V Wye wiring diagram



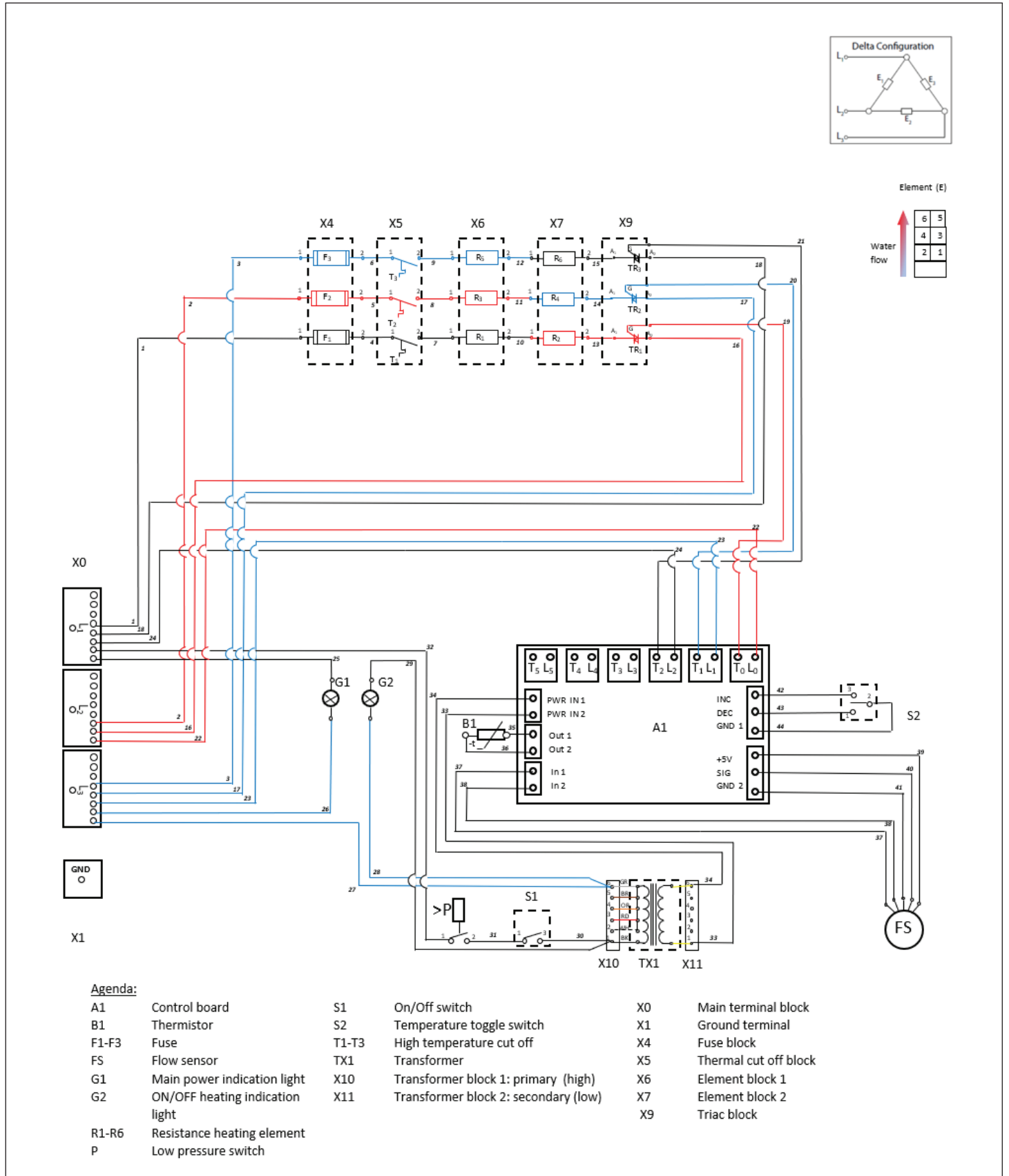
INSTALLATION TECHNICAL DATA

CE/CES/CERO Plus 24-36, 208-240 V Delta wiring diagram



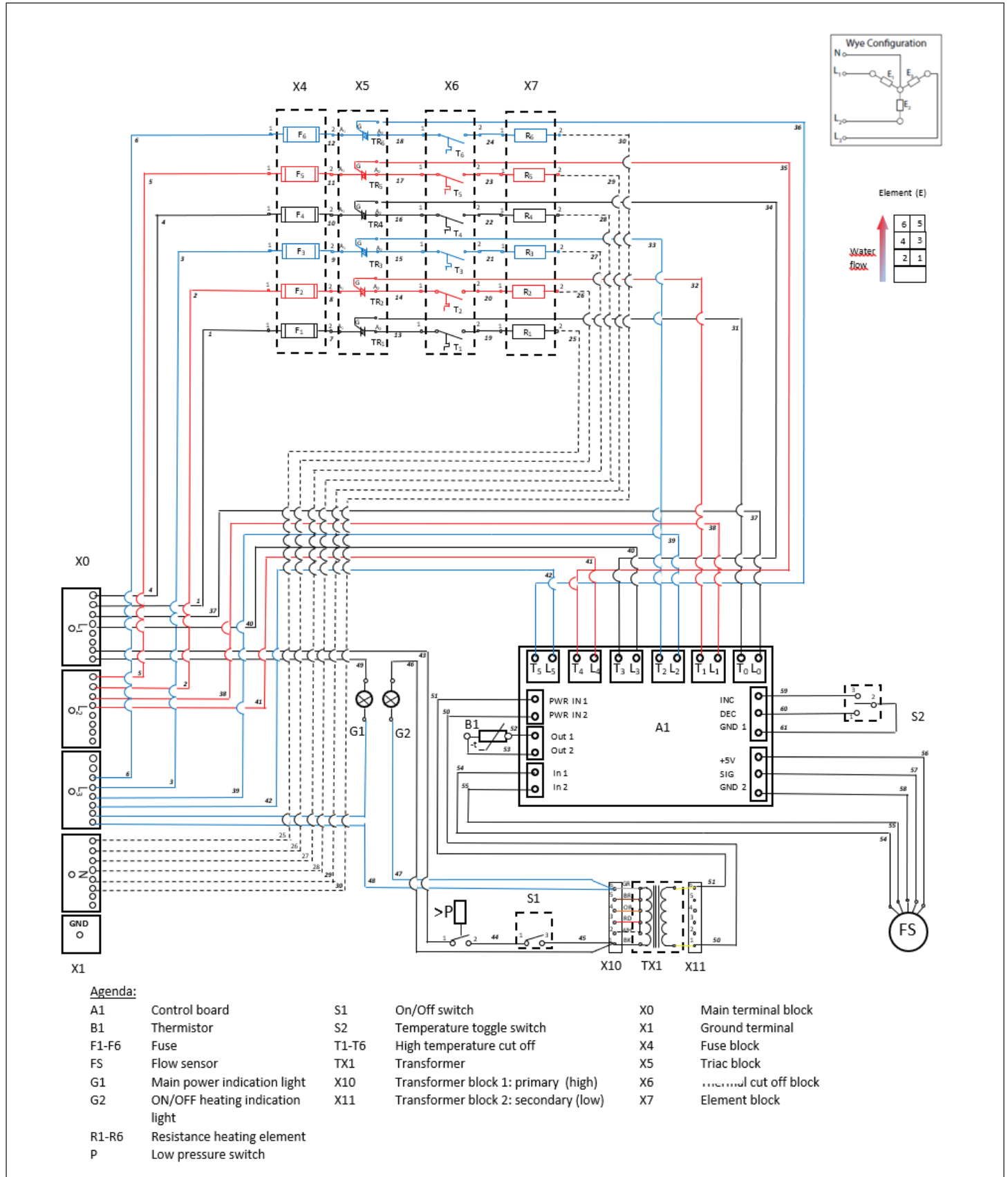
INSTALLATION TECHNICAL DATA

CE/CES/CERO Plus 24-36, 480 V Delta wiring diagram



INSTALLATION TECHNICAL DATA

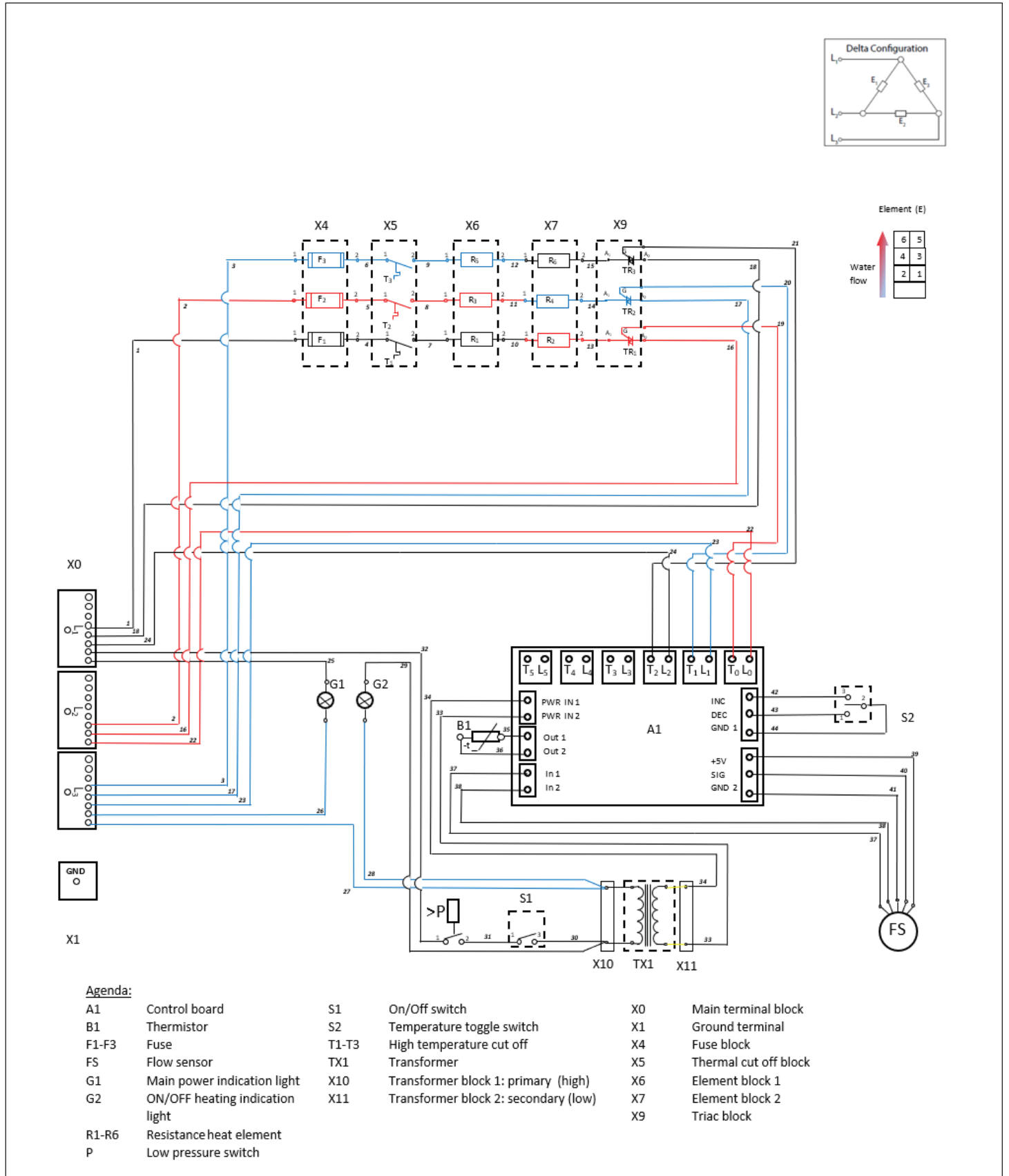
CE/CES/CERO Plus 24-36, 480 V Wye wiring diagram



ENGLISH

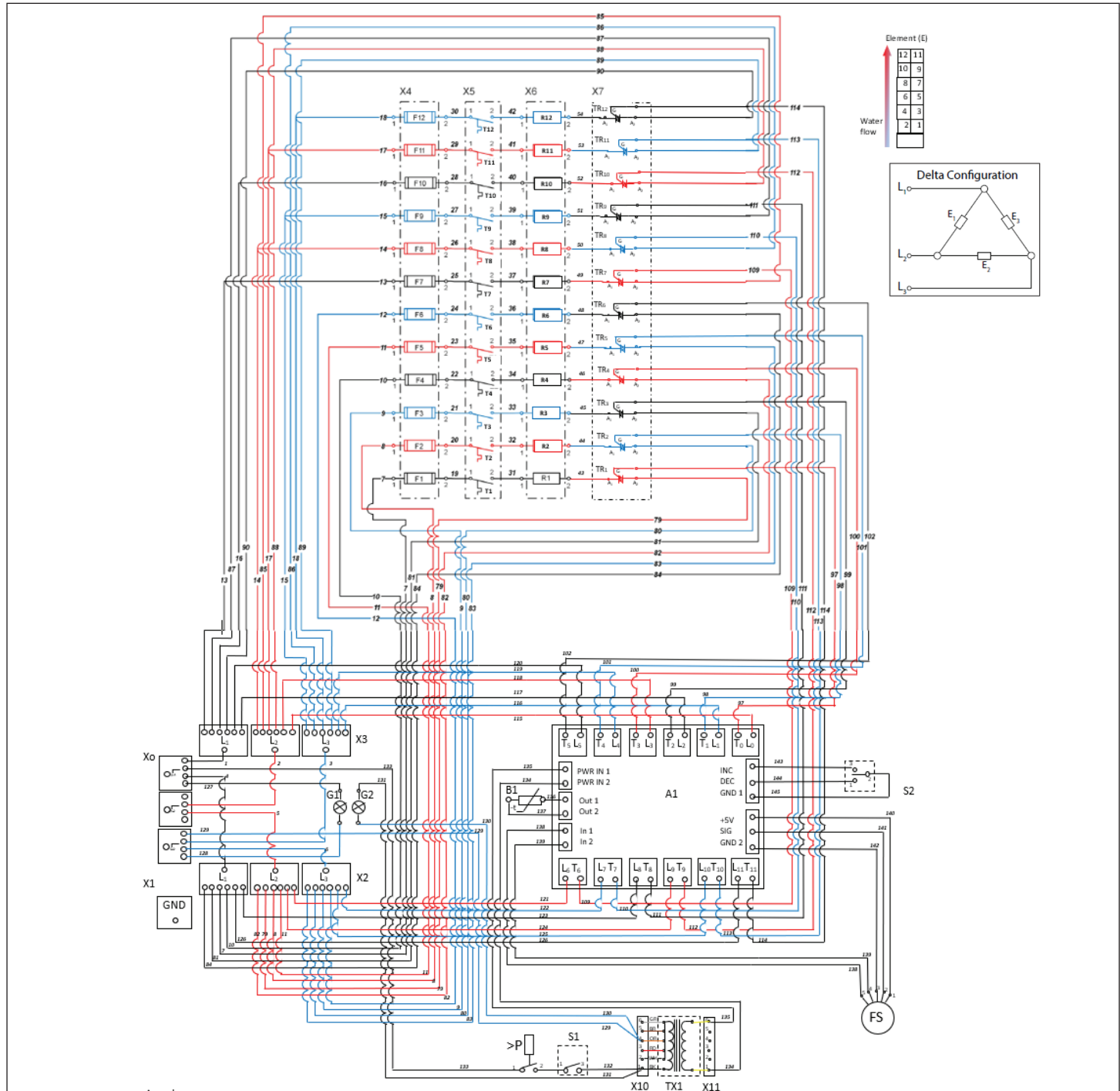
INSTALLATION TECHNICAL DATA

CE/CES/CERO Plus 24-36, 575 V Delta wiring diagram



INSTALLATION TECHNICAL DATA

CE/CES/CERO Plus 48-72, 208-240 V Delta wiring diagram



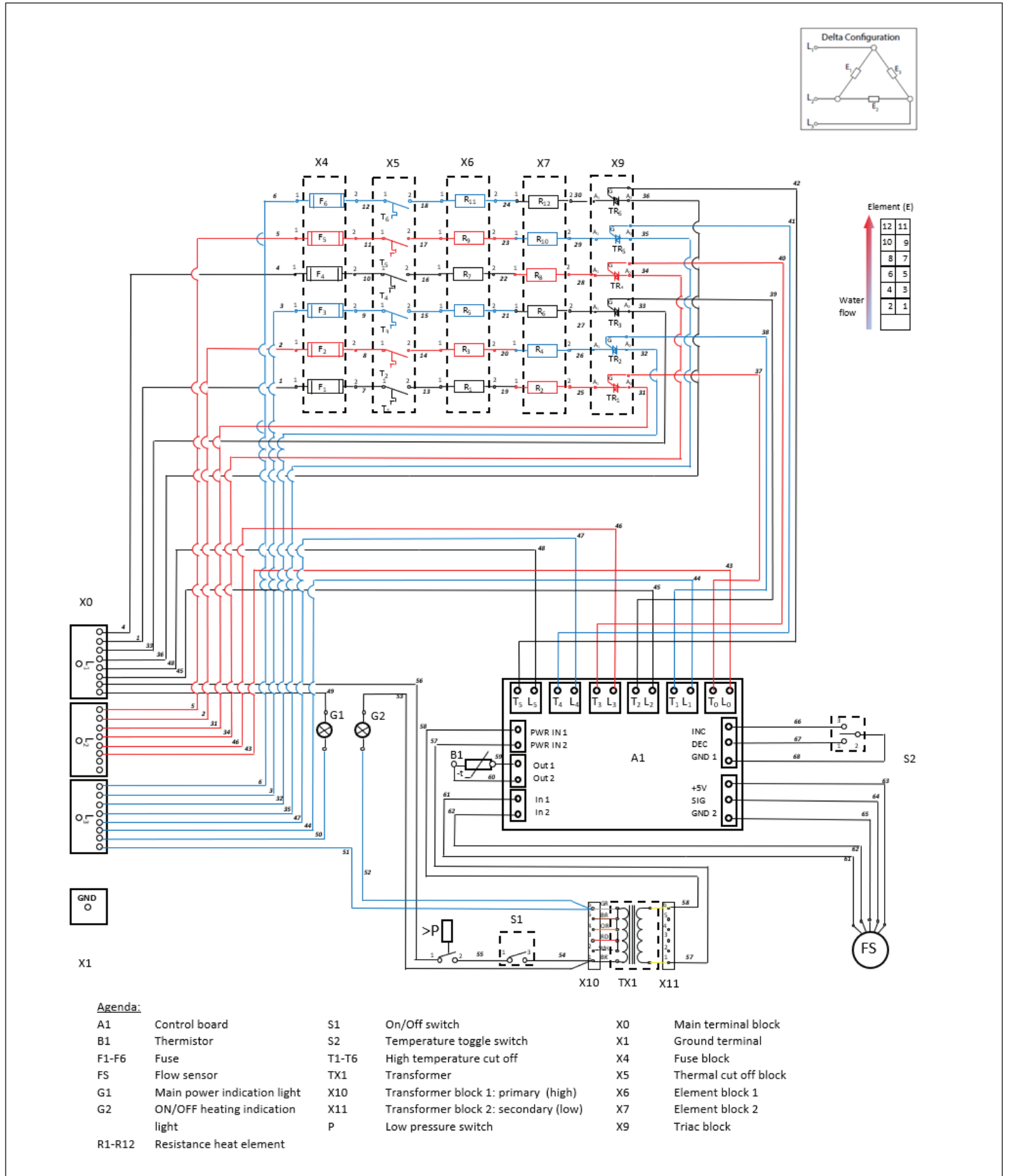
Agenda:

- | | | | |
|----------|---------------------------------|-----|--|
| A1 | Control board | X0 | Main terminal block |
| B1 | Thermistor | X1 | Ground terminal |
| F1-F12 | Fuse | X2 | Secondary terminal block 1 |
| FS1 | Flow sensor | X3 | Secondary terminal block 2 |
| G1 | Main Power indication light | X4 | Fuse block |
| G2 | ON/OFF heating indication light | X5 | Thermal cut off block |
| P | Low Pressure switch | X6 | Element block |
| R1-R12 | Resistance heating element | X7 | Triac block |
| S1 | ON/OFF switch | X10 | Transformer block 1: primary (high voltage) 240 V orange, 208 V red contact 3 |
| S2 | Temperature toggle switch | X11 | Transformer block 2: secondary (low voltage) |
| T1-T12 | High temperature cut off | TX1 | Transformer |
| TR1-TR12 | Power Triac | | |

ENGLISH

INSTALLATION TECHNICAL DATA

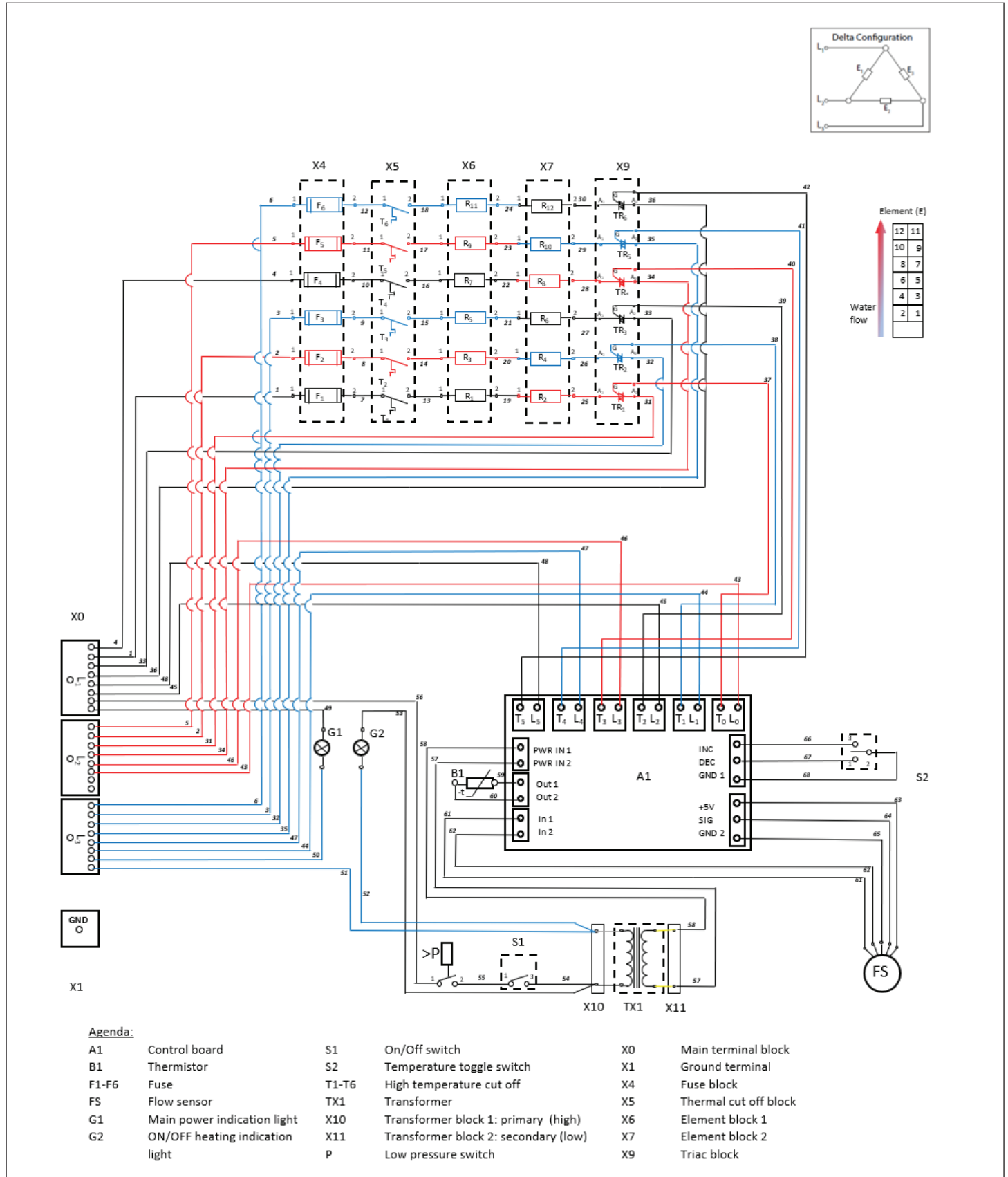
CE/CES/CERO Plus 48-72, 480 V Delta wiring diagram



INSTALLATION TECHNICAL DATA

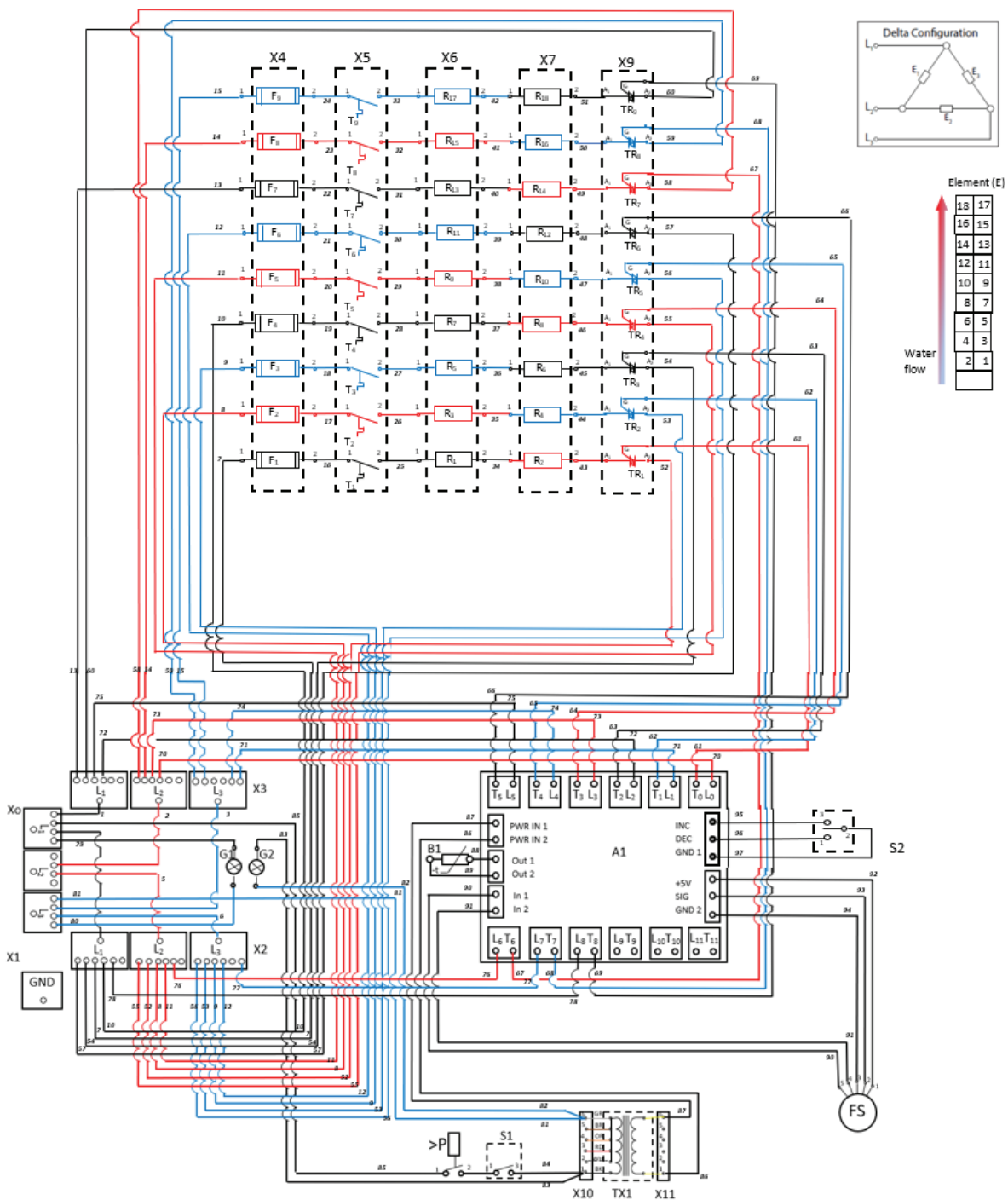
CE/CES/CERO Plus 48-72, 575 V Delta wiring diagram

ENGLISH



INSTALLATION TECHNICAL DATA

CE/CES/CERO Plus 81-108, 480-575 V Delta wiring diagram

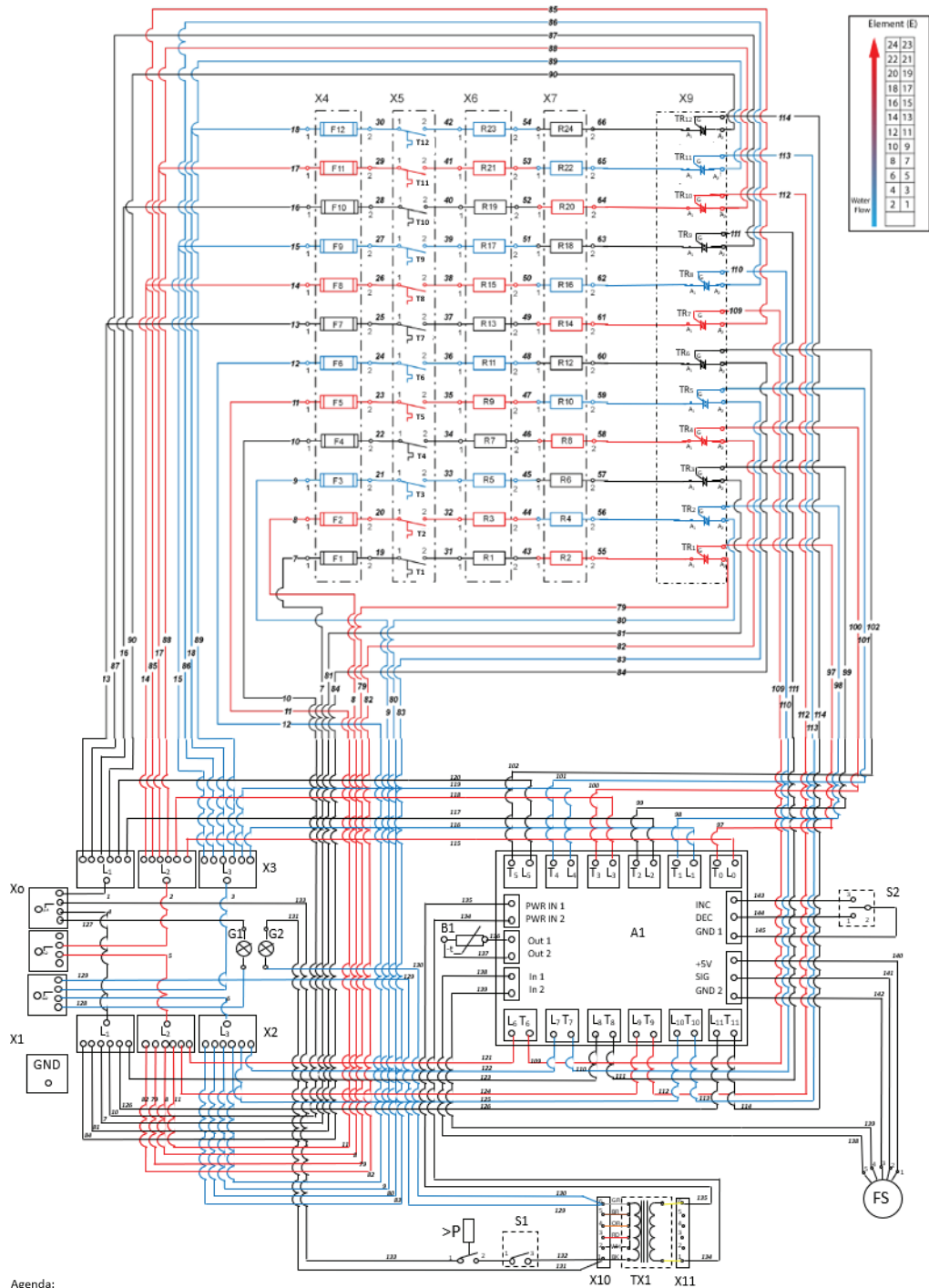


Agenda:

| | | | | | |
|--------|---------------------------------|-------|--------------------------------------|----|--------------------------|
| A1 | Control board | S1 | On/Off switch | X0 | Main terminal block |
| B1 | Thermistor | S2 | Temperature toggle switch | X1 | Ground terminal |
| F1-F8 | Fuse | T1-T9 | High temperature cut off | X2 | Secondary Terminal block |
| FS1 | Flow sensor | TX1 | Transformer | X3 | Secondary Terminal block |
| G1 | Main power indication light | X10 | Transformer block 1: primary (high) | X4 | Fuse block |
| G2 | ON/OFF heating indication light | X11 | Transformer block 2: secondary (low) | X5 | Thermal cut off block |
| P | Low Pressure switch | | | X6 | Element block 1 |
| R1-R18 | Resistance heating element | | | X7 | Element block 2 |
| | | | | X9 | Triac block |

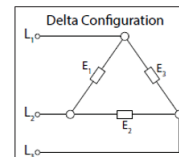
INSTALLATION TECHNICAL DATA

CE/CES/CERO Plus 120-144, 480 V Delta wiring diagram



Agenda:

| | | | |
|----------|---------------------------------|-----|--|
| A1 | Control board | X0 | Main terminal block |
| B1 | Thermistor | X1 | Ground terminal |
| F1-F12 | Fuse | X2 | Secondary terminal block 1 |
| FS1 | Flow sensor | X3 | Secondary terminal block 2 |
| G1 | Main Power indication light | X4 | Fuse block |
| G2 | ON/OFF heating indication light | X5 | Thermal cut off block |
| P | Low Pressure switch | X6 | Element block 1 |
| R1-R24 | Resistance heating element | X7 | Element block 2 |
| S1 | ON/OFF switch | X9 | Triac block |
| S2 | Temperature toggle switch | X10 | Transformer block 1: primary (high voltage) |
| T1-T12 | High temperature cut off | X11 | Transformer block 2: secondary (low voltage) |
| TR1-TR12 | Power Triac | TX1 | Transformer |



INSTALLATION TECHNICAL DATA

CE/CES/CERO Plus 120-144, 575 V Delta wiring diagram

