

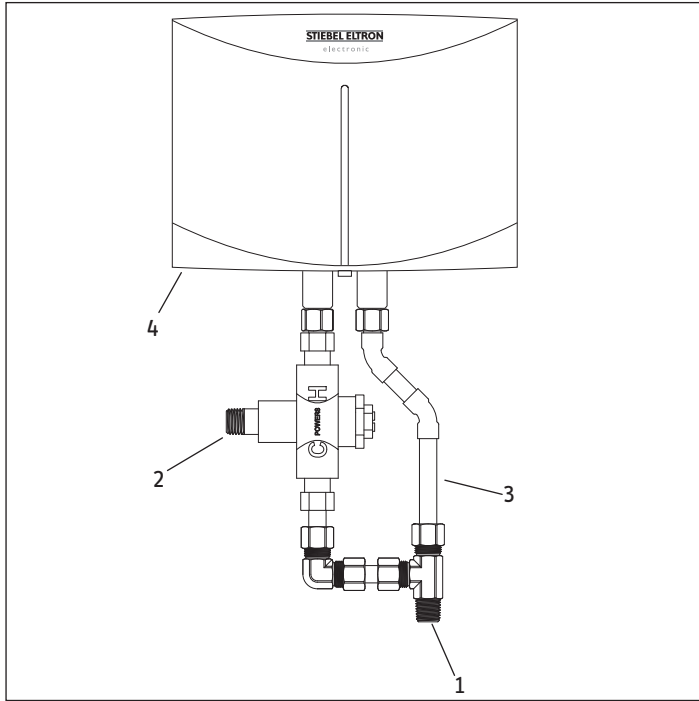
MINI-E TLC WITH ASSE 1070 MIXING VALVE

INSTALLATION INSTRUCTIONS

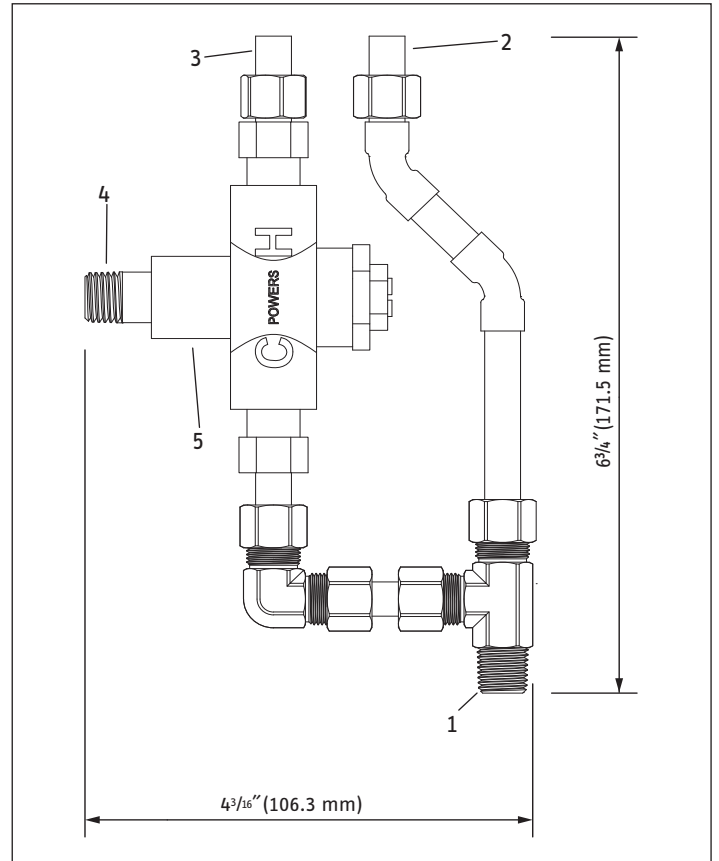
1. Product overview

Part number: 502346

The Mini-E TLC is an optional temperature limiting control device designed for use with a Mini-E tankless electric water heater where commercial lavatory installations must meet UPC 413.1 by installation of an ASSE 1070-compliant tempering valve.



- 1 Cold water inlet
- 2 Hot water outlet
- 3 Mini-E TLC
- 4 Mini-E tankless electric water heater



- 1 Cold water inlet
- 2 Cold water connection to Mini-E
- 3 Hot water connection to Mini-E
- 4 Hot water outlet
- 5 Pre-set tempering valve

► The filter screen may be removed for cleaning. The filter screen can be removed from the cold water inlet.

2. Installation instructions

2.1 Hardware installation



Note:

This manual is not a substitute for the Mini-E installation manual. Observe all instructions outlined in the Mini-E manual before and during the installation of this appliance.



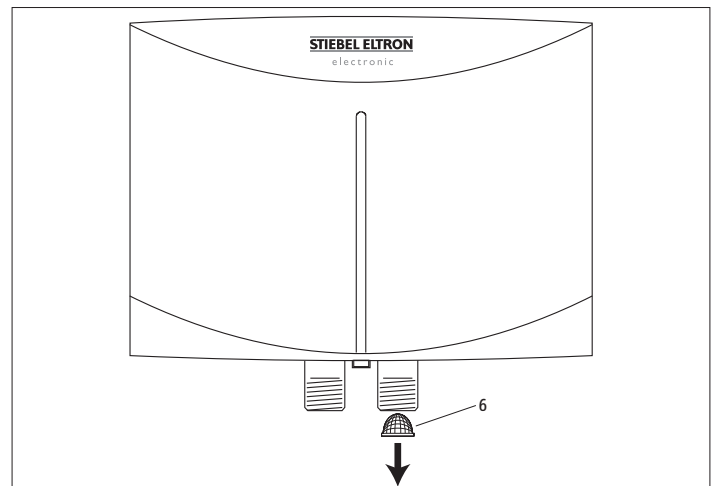
DANGER: Electrocutation

Ensure that the power to the Mini-E is disconnected before installing this appliance.



Damage to the appliance and the environment:

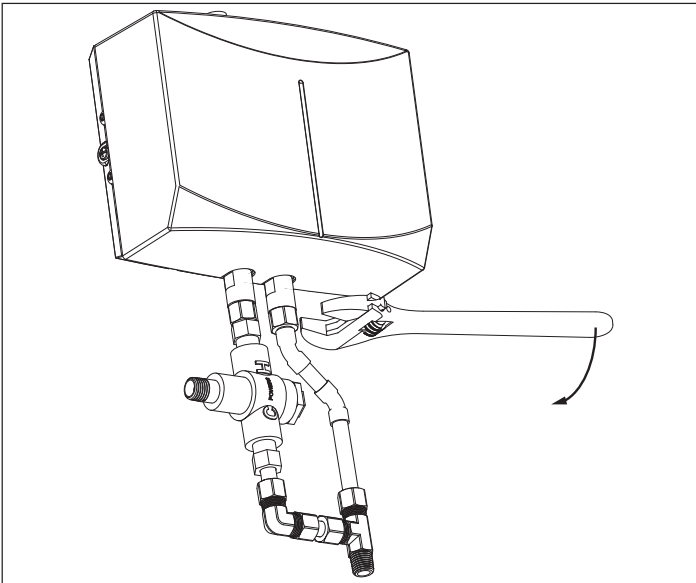
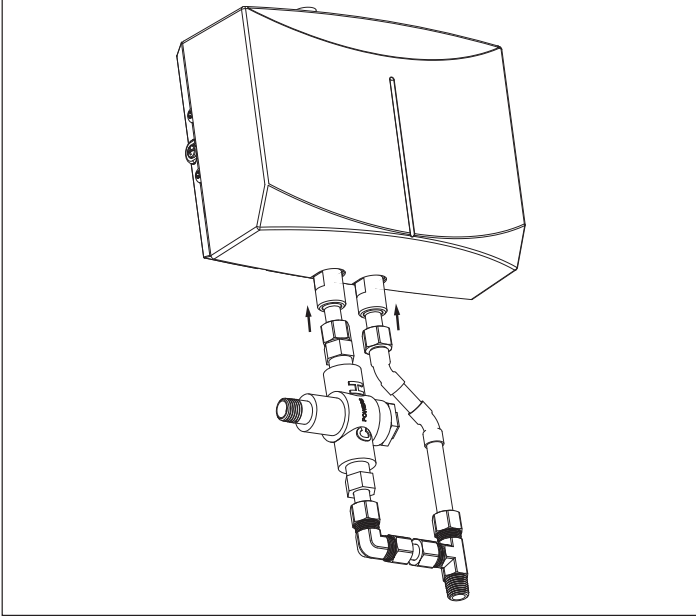
Ensure that the water connection is shut off both upstream and downstream of the appliance.



- 6 Mini-E filter screen

MINI-E TLC WITH ASSE 1070 MIXING VALVE INSTALLATION INSTRUCTIONS

- ▶ Insert the copper tubing into the connections of the Mini-E and hand-tighten the hot and cold water connections simultaneously. The compression fitting allows future access to service the filter screen.



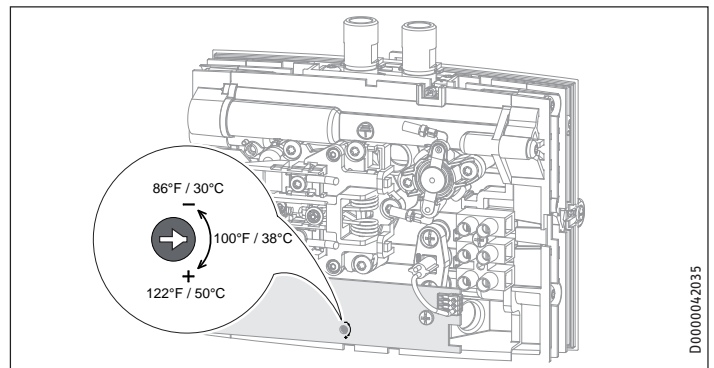
- ▶ Use an adjustable wrench to tighten the cold water and hot water compression connections. Alternate tightening the hot and cold water connections every few turns until completely tightened.
- ▶ Connect the cold water supply to the cold water inlet of the Mini-E TLC.
- ▶ Connect the hot water supply line to the hot water outlet on the Mini-E TLC.

- ▶ Adjust the mixing valve with a screwdriver to fine-tune the desired temperature.

2.2 Factory Temperature Setting

Note:
The Mini-E is factory set to 100°F / 38°C and should remain at this setting to operate properly.

If the temperature setting of the Mini-E needs to be changed, disconnect all power to the unit before removing the cover.



⚠ Do not adjust the temperature unless the power supply has been deactivated/disconnected.

- ▶ Using a flat screwdriver, set the potentiometer to 100°F / 38°C.
- ▶ Re-fit the appliance cover.

3. Warranty

Stiebel Eltron warrants that the Mini-E TLC will be free from leaks or defects for a period of 1 year from the date of purchase.

Warranty is only valid in the United States and Canada. Please contact Stiebel Eltron for more information.

Warranty only applies if:

- These installation instructions are observed.
- All required steps up to and including commissioning have been carried out by a qualified contractor.
- Maintenance as specified has been carried out.
- Stiebel Eltron spare parts have been exclusively used for repairs.

📖 If you have any questions concerning the registration process or warranty options, please contact Stiebel Eltron USA directly at 800-582-8423.