

Spare Parts List

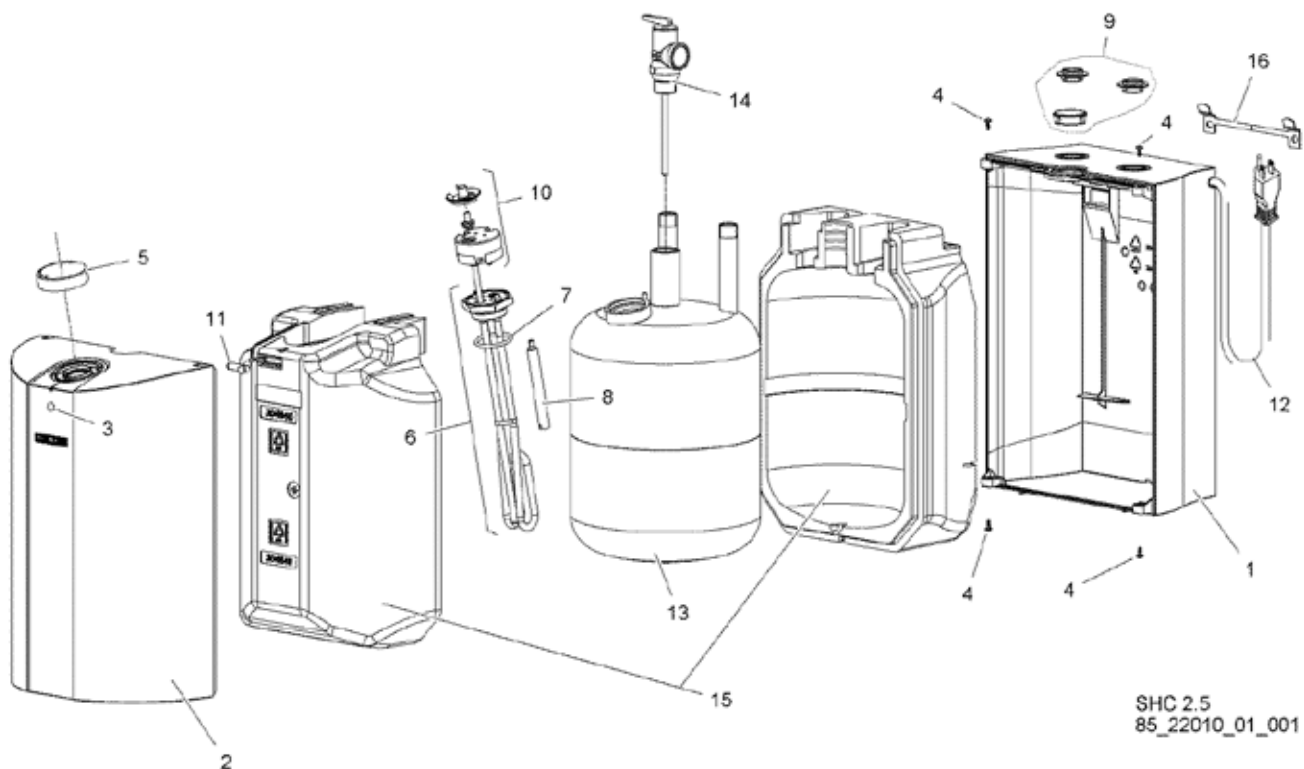
Effective August 1, 2021

STIEBEL ELTRON

Simply the Best

SHC Mini Tank 2.5 (model 233219)

No.	Part No.	Description
1	304636	Rear cover
2	304634	Front cover
3	304657	Indicator light cover, red
5	311936	Temperature adjustment knob
6a	311937	Heating element assembly, 1300 W (includes Nos. 7, 8) [for pre 1645 code]
6b	323213*	Heating element assembly, 1300 W [for 1645 code and higher/newer]
7	311220	O-Ring, 38 x 3.5 mm EPDM
8a	304644	Sacrificial anode [for pre 1645 code]
8b	323214	Sacrificial anode rod assembly [for 1645 code and higher/newer]
9a	304648	Plastic insert, hot water side (red)
9b	304649	Plastic insert, cold water side (blue)
9c	304650	Plastic insert, T&P valve
10	311939	Thermostat assembly / control unit
11	313128	120 V LED indicator light
12	304658	Electrical cord (UL)
14	294545	T&P valve, 3/4" NPT
16	030881	Mounting bracket



SHC 2.5
85_22010_01_001

rev.4.2022

Spare Parts List

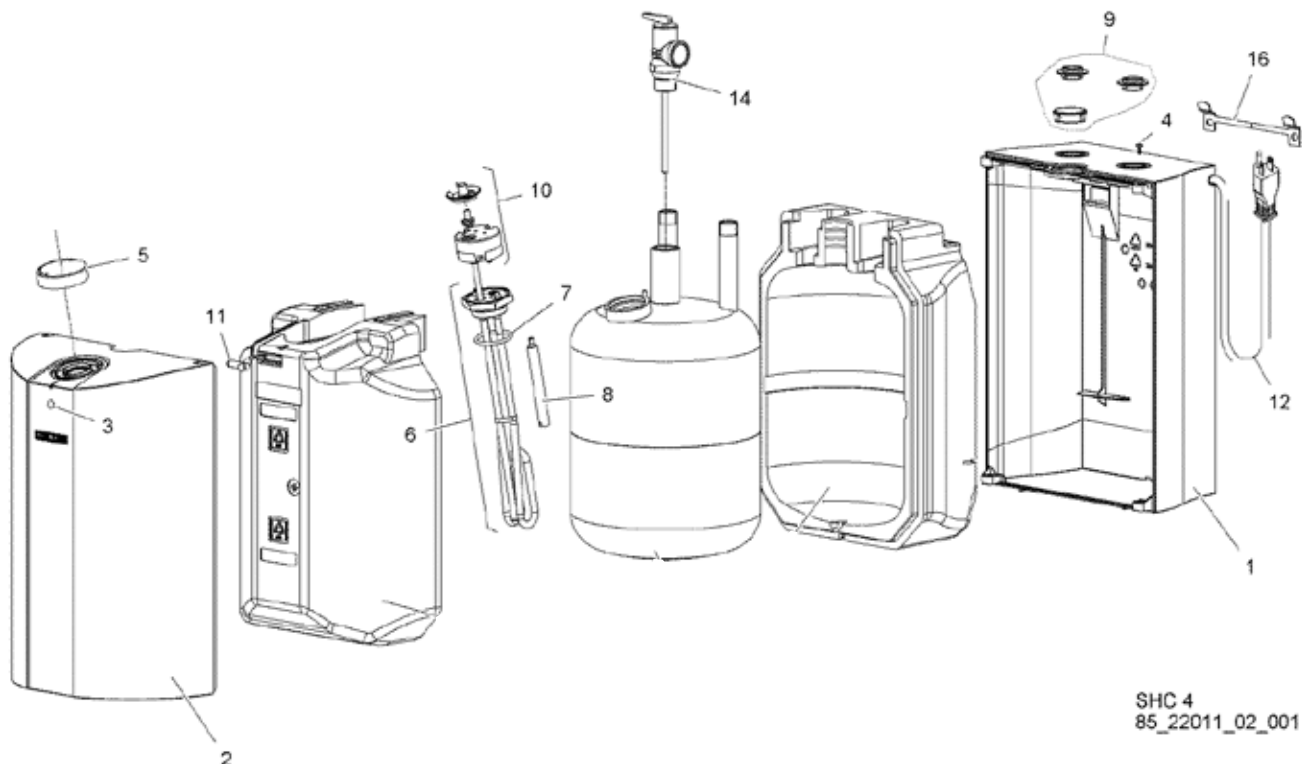
Effective August 1, 2021

STIEBEL ELTRON

Simply the Best

SHC Mini Tank 4 (model 234046)

No.	Part No.	Description
1	314185	Rear cover
2	314184	Front cover
3	304657	Indicator light cover, red
5	311936	Temperature adjustment knob
6a	311937	Heating element assembly, 1300 W (includes Nos. 7, 8) [for pre 1645 code]
6b	323213*	Heating element assembly, 1300 W [for 1645 code and higher/newer]
7	311220	O-Ring, 38 x 3.5 mm EPDM
8a	304644	Sacrificial anode [for pre 1645 code]
8b	323214	Sacrificial anode rod assembly [for 1645 code and higher/newer]
9a	304648	Plastic insert, hot water side (red)
9b	304649	Plastic insert, cold water side (blue)
9c	304650	Plastic insert, T&P valve
10	311939	Thermostat assembly / control unit
11	313128	120 V LED indicator light
12	304658	Electrical cord (UL)
14	294545	T&P valve, 3/4" NPT
16	011155	Mounting bracket

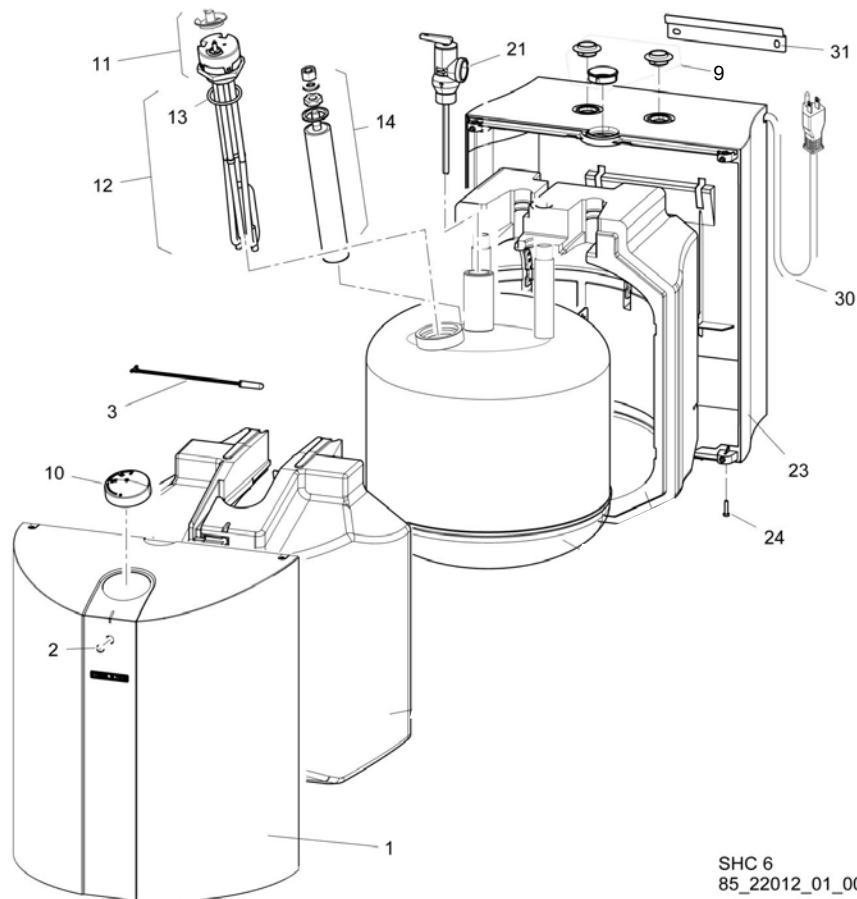


SHC 4
85_22011_02_001

rev.10.2021

SHC Mini Tank 6 (model 235089)

No.	Part No.	Description
1	322404	Front cover
2	304657	Indicator light cover, red
3	313128	120 V LED indicator light
10	311936	Temperature adjustment knob
11	311939	Thermostat assembly / control unit
12	323213	Heating element assembly, 1300 W
13	311220	O-Ring, 38 x 3.5 mm EPDM
14	323214	Sacrificial anode assembly
21	294545	T&P valve, 3/4" NPT
23	322403	Rear cover
9a	304648	Plastic insert, hot water side (red)
9b	304649	Plastic insert, cold water side (blue)
9c	304650	Plastic insert, T&P valve
30	304658	Electrical cord (UL)
	318712	Mounting bracket



SHC 6
85_22012_01_001

rev.10.2021