

CON Premium Wall-Mounted Convection Heater

Description

CON Premium is suitable for use as a standalone heating system, or can be used in spring and autumn and as a booster heater in smaller rooms. The heater is operated using the programming unit, located at the top right front. The programming unit has an interactive display that allows access to advanced user features such as night mode operation, user-customized time programs, open window detection, and other convenience features. CON Premium has a frost protection setting; designed to maintain a room at above freezing temperatures. Overheat protection is built into the unit. The external casing of the appliance is made from thick, enameled aluminum. Color is Alpine White.

- › Advanced interactive display built into unit
- › Selectable temperature range from 41 °F – 86 °F
- › Draft free, silent operation
- › Frost protection setting
- › Three-year warranty



Applications

Ideal for:

- › Bathrooms
- › Bedrooms
- › Basements
- › Playrooms
- › 3-Season Porches
- › Cabins
- › Mobile Homes
- › Offices

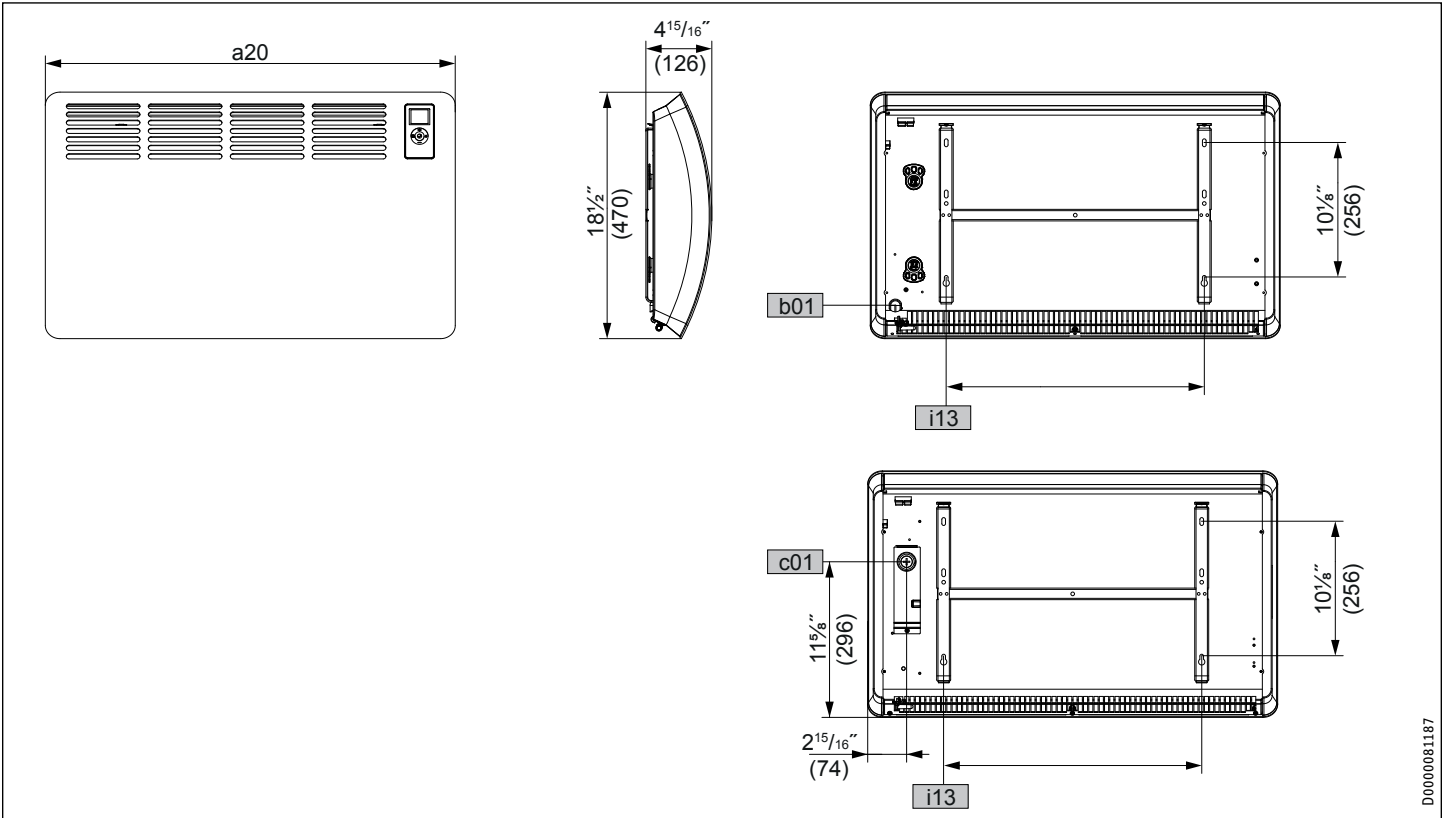
Specifications

Model	CON 100-1 Premium	CON 150-1 Premium	CON 100-2 Premium		CON 150-2 Premium		CON 200-2 Premium		CON 300-2 Premium	
Item number	202025	202026	202027		202028		202029		202030	
Voltage	120 v	120 v	240 v or 208 v		240 v or 208 v		240 v or 208 v		240 v or 208 v	
Wattage	1000 w	1500 w	1000 w	750 w	1500 w	1125 w	2000 w	1500 w	3000 w	2250 w
Amperage	8.3 A	12.5 A	4.2 A	3.6 A	6.3 A	5.4 A	8.3 A	7.2 A	12.5 A	10.8 A
Btu/hr	3412	5118	3412	2559	5118	3839	6824	5118	10236	7677
Electrical connection	Power cord with plug, optional hard-wired connection possible		Junction box, rear		Junction box, rear		Junction box, rear		Junction box, rear	
Required circuit breaker size ¹	15 A	15 A	10 A		10 A		15 A		15 A	
Required wire size (copper)	14 AWG	14 AWG	14 AWG		14 AWG		14 AWG		14 AWG	
Temperature range	41 °F–86 °F (5 °C–30 °C)									
Frost protection setting	45 °F (7 °C)									
Height	18½" (470 mm)									
Width	18½" (470 mm)	24⅝" (625 mm)	18½" (470 mm)	24⅝" (625 mm)	30¾" (780 mm)	42⅞" (1090 mm)				
Depth	4⅓" (126 mm)									
Weight	13.0 lb (5.9 kg)	16.5 lb (7.5 kg)	13.0 lb (5.9 kg)	16.5 lb (7.5 kg)	22.5 lb (10.2 kg)	27.8 lb (12.6 kg)				
Room size estimate ²	100 sq.ft.	150 sq.ft.	100 sq.ft.	150 sq.ft.	200 sq.ft.	300 sq.ft.				

¹ This is our recommendation as the manufacturer. Check local codes for compliance if necessary.

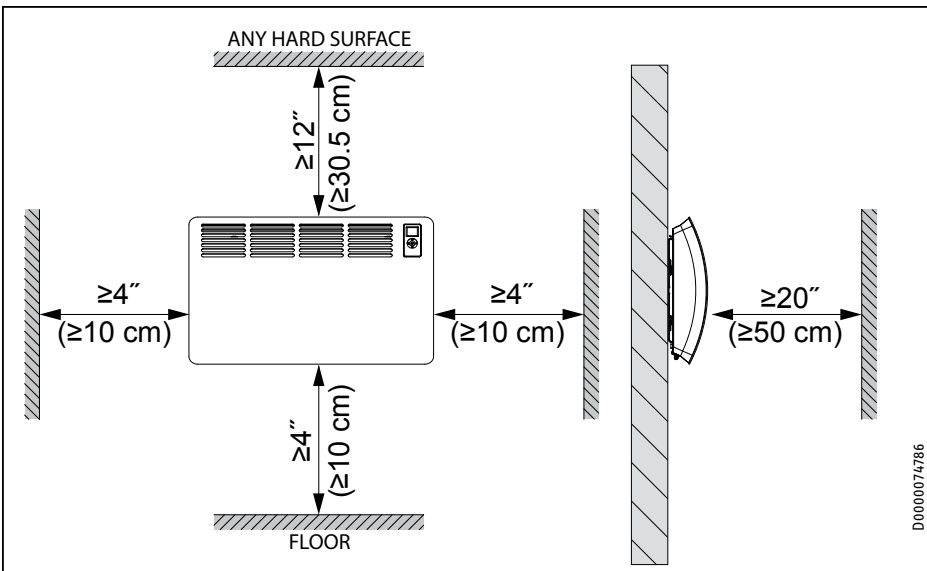
² Based on average insulation

Dimensions & clearances



D0000081187

		CON 100-1 Premium CON 100-2 Premium	CON 150-1 Premium CON 150-2 Premium	CON 200-2 Premium	CON 300-2 Premium
a20	Heater Width	$18\frac{1}{2}$ " (470 mm)	$24\frac{5}{8}$ " (625 mm)	$30\frac{3}{4}$ " (780 mm)	$42\frac{7}{8}$ " (1090 mm)
b01	Power cord entry, 120 V models				
c01	Position of junction box knockout, hard-wired 208-240 V models				
i13	Wall mounting bracket Horizontal hole spacing	7" (179 mm)	$13\frac{1}{4}$ " (335 mm)	$19\frac{3}{8}$ " (491 mm)	$31\frac{5}{8}$ " (803 mm)



D0000074786



Intertek

Conforms to ANSI/UL Std. 2021
 Certified to CAN/CSA Std. 22.2 No. 46

**ISO 9001
 CERTIFIED**

rev. 8.2023 Due to our continuous process of engineering and technological advancement, specifications may change without notice.

Specification

Contractor shall supply and install Stiebel Eltron CON Premium electric heater(s) of the wattage and voltage specified on the plan. Heater(s) shall be surface-mounted fan-less convection type. Heater(s) shall have a body constructed of stove enameled sheet steel in Alpine White color. Heater(s) shall have a selectable temperature range of 41 °F to 86°F (5 °C to 30 °C), and a frost protection setting which switches on the heating element automatically if the room temperature drops below the frost protection temperature of 45 °F (5 °C). Heater(s) shall be operated using the programming unit, located at the top right front. Heater(s) programming unit shall have an interactive display that allows operation and access to advanced user features. Heater(s) shall be mounted with a minimum clearance from the finished floor and from the left and right sides of at least 4", a minimum clearance to the top of the heater of at least 10", and a minimum clearance to the back of the heater of at least 1". Heater(s) shall have an electrical cable entrance on the right side. Heater(s) shall be ETL listed to conform to ANSI/UL Std. 2021 and certified to CAN/CSA C22.2 No. 46.

Engineer/Architect _____ Date _____

Job Name/Customer _____ Location _____

Contractor _____ Representative _____

	Qty	W	Voltage	Amps
CON Premium model _____	_____	_____	_____	_____